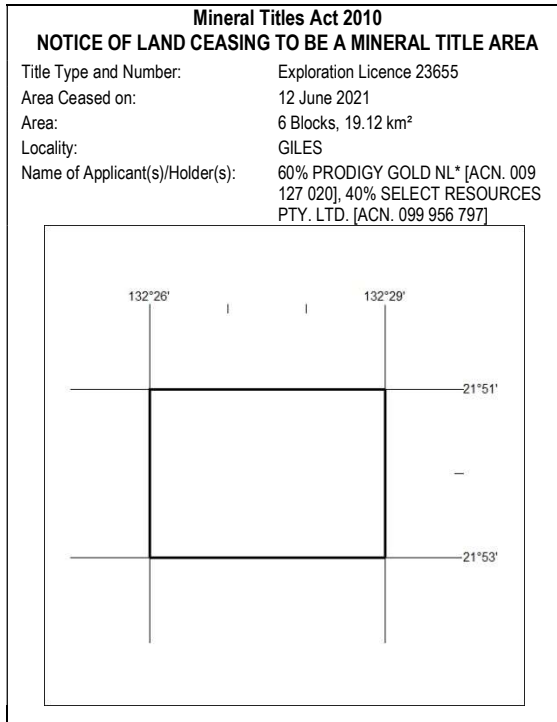


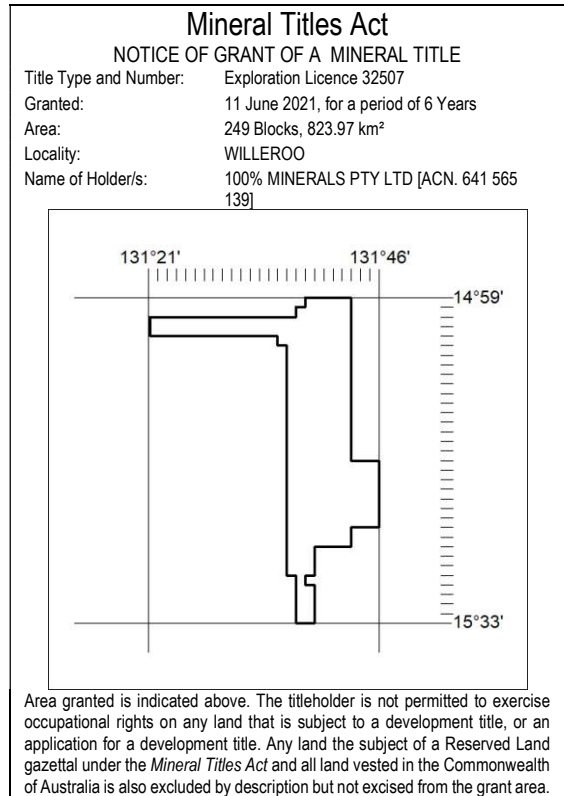
**MN57/21**

**DARWIN**

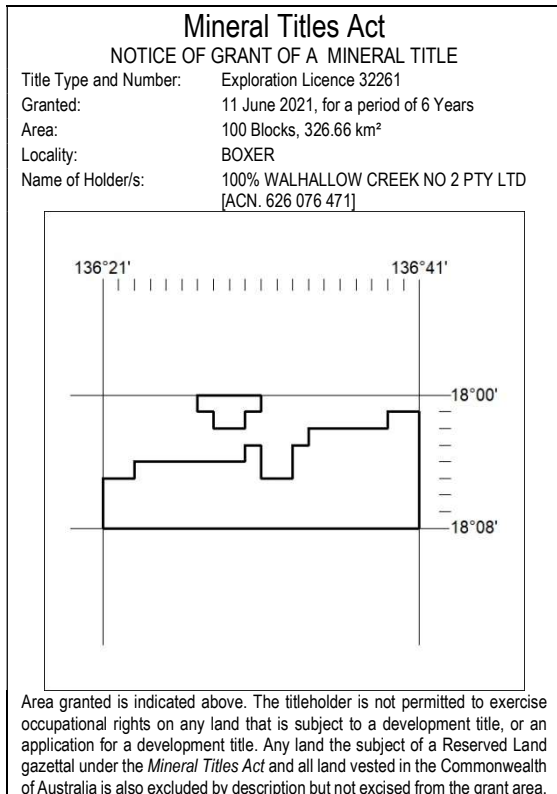
**15 June 2021**



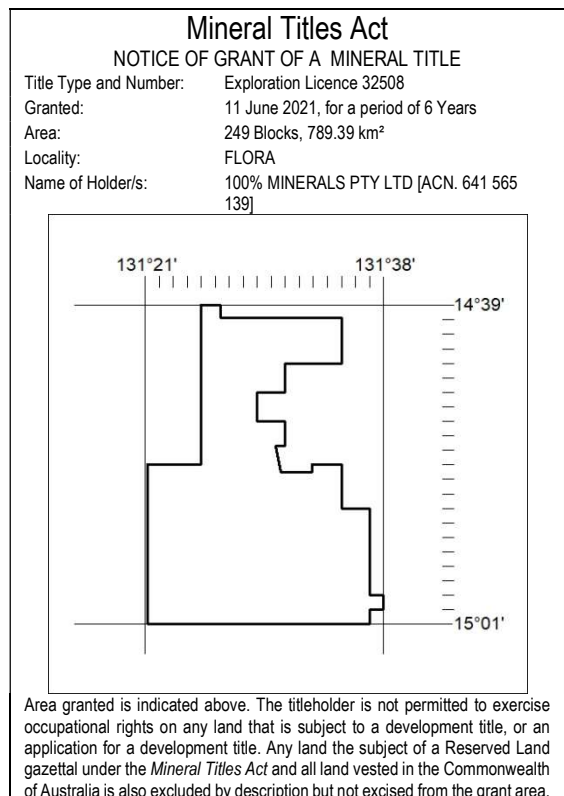
**203/21**



**205/21**



**204/21**

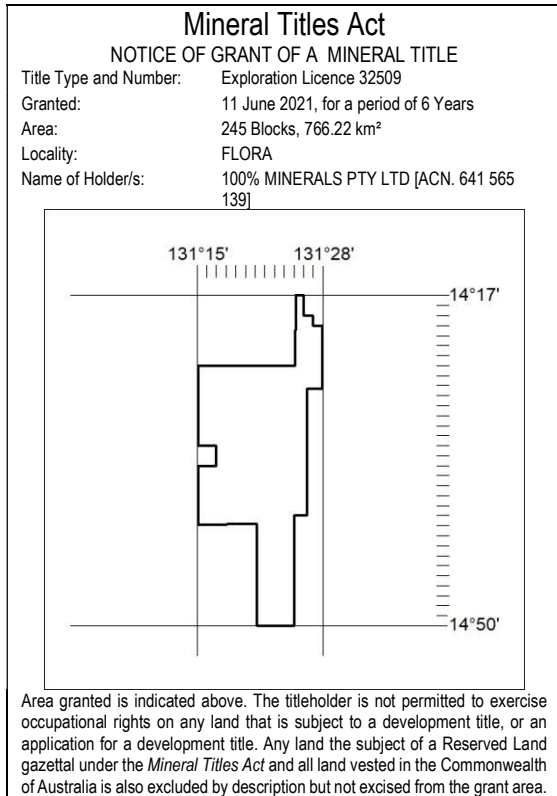


**206/21**

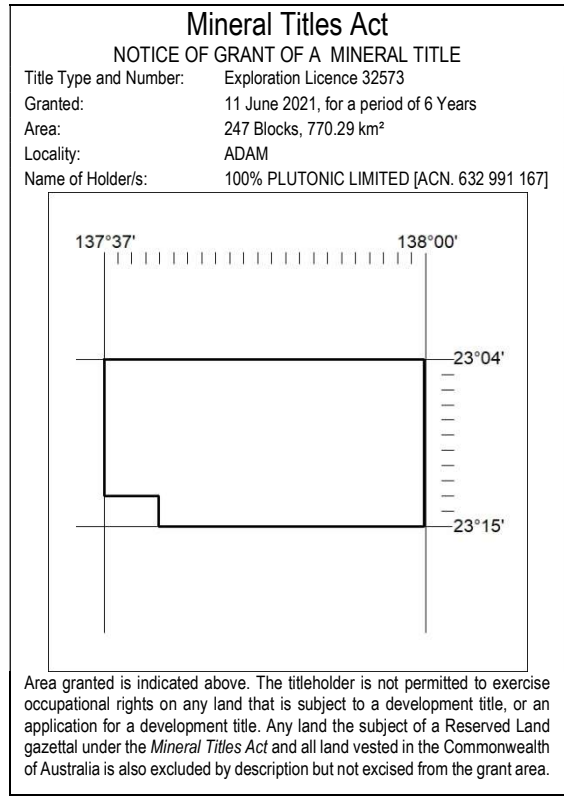
**MN57/21**

**DARWIN**

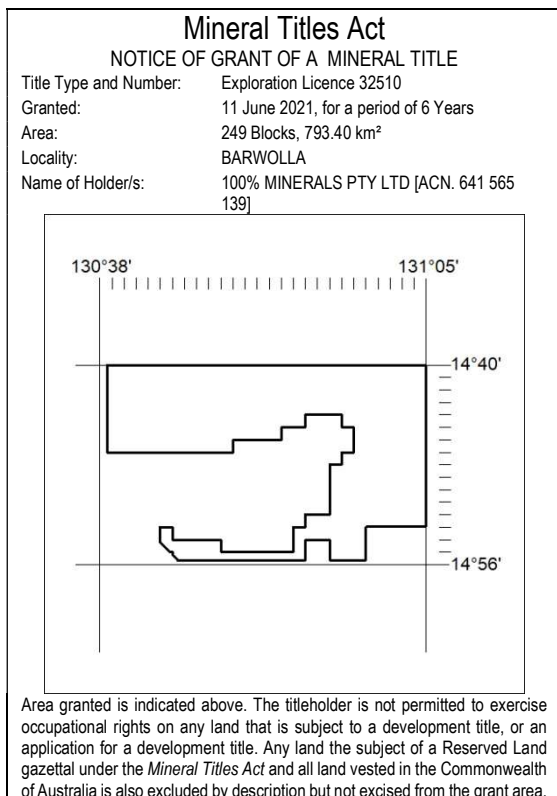
**15 June 2021**



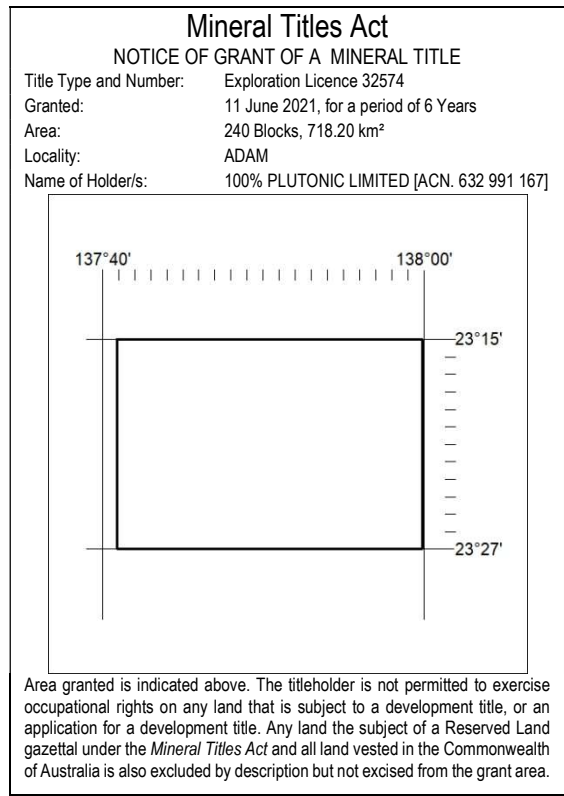
**207/21**



**209/21**



**208/21**



**210/21**

**MN57/21**

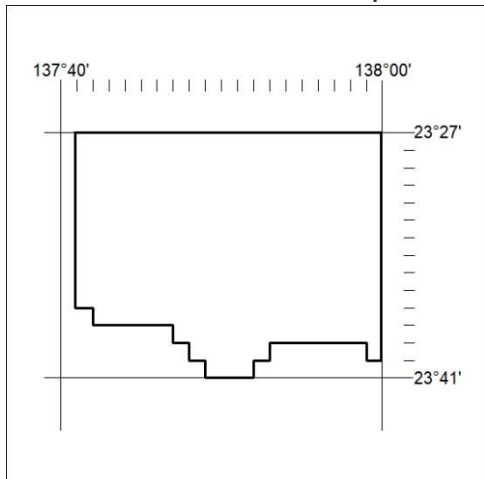
**DARWIN**

**15 June 2021**

**Mineral Titles Act**

**NOTICE OF GRANT OF A MINERAL TITLE**

Title Type and Number: Exploration Licence 32575  
 Granted: 11 June 2021, for a period of 6 Years  
 Area: 240 Blocks, 722.58 km<sup>2</sup>  
 Locality: FIELD RIVER  
 Name of Holder/s: 100% PLUTONIC LIMITED [ACN. 632 991 167]



Area granted is indicated above. The titleholder is not permitted to exercise occupational rights on any land that is subject to a development title, or an application for a development title. Any land the subject of a Reserved Land gazettal under the *Mineral Titles Act* and all land vested in the Commonwealth of Australia is also excluded by description but not excised from the grant area.

**211/21**