

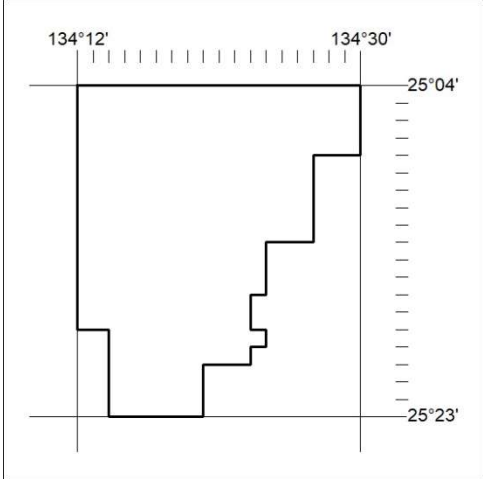
MN94/21

DARWIN

22 September 2021

Mineral Titles Act
NOTICE OF GRANT OF A MINERAL TITLE

Title Type and Number: Exploration Licence 32644
Granted: 21 September 2021, for a period of 6 Years
Area: 242 Blocks, 751.91 km²
Locality: ENGOORDINA
Name of Holder/s: 100% TRI-STAR ENERGY COMPANY [ACN. 089 539 695]

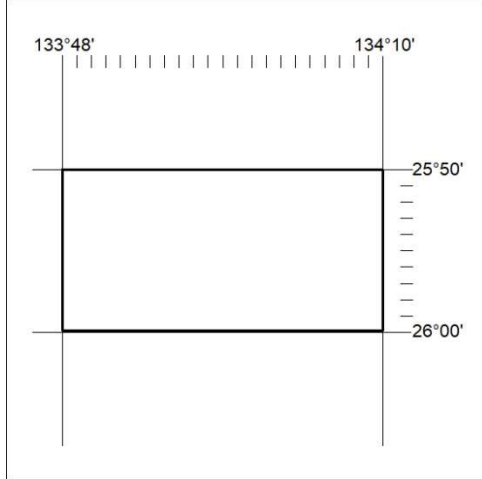


Area granted is indicated above. The titleholder is not permitted to exercise occupational rights on any land that is subject to a development title, or an application for a development title. Any land the subject of a Reserved Land gazettal under the *Mineral Titles Act* and all land vested in the Commonwealth of Australia is also excluded by description but not excised from the grant area.

358/21

Mineral Titles Act
NOTICE OF GRANT OF A MINERAL TITLE

Title Type and Number: Exploration Licence 32646
Granted: 21 September 2021, for a period of 6 Years
Area: 220 Blocks, 673.51 km²
Locality: UMBEARA
Name of Holder/s: 100% TRI-STAR ENERGY COMPANY [ACN. 089 539 695]

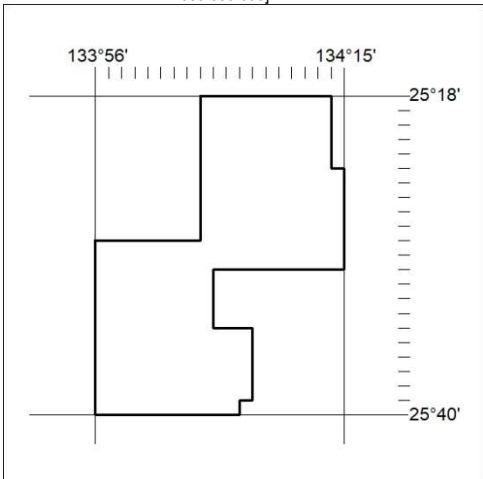


Area granted is indicated above. The titleholder is not permitted to exercise occupational rights on any land that is subject to a development title, or an application for a development title. Any land the subject of a Reserved Land gazettal under the *Mineral Titles Act* and all land vested in the Commonwealth of Australia is also excluded by description but not excised from the grant area.

360/21

Mineral Titles Act
NOTICE OF GRANT OF A MINERAL TITLE

Title Type and Number: Exploration Licence 32645
Granted: 21 September 2021, for a period of 6 Years
Area: 250 Blocks, 775.09 km²
Locality: ENGOORDINA
Name of Holder/s: 100% TRI-STAR ENERGY COMPANY [ACN. 089 539 695]

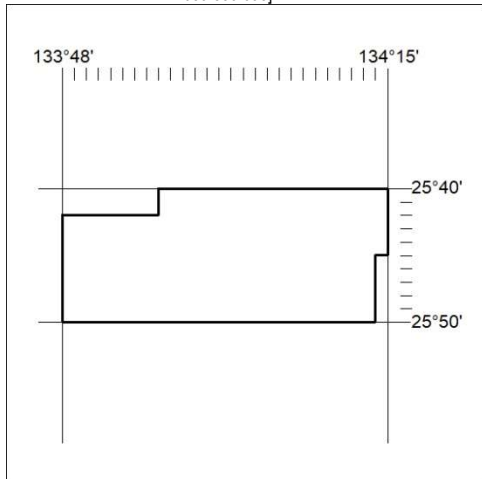


Area granted is indicated above. The titleholder is not permitted to exercise occupational rights on any land that is subject to a development title, or an application for a development title. Any land the subject of a Reserved Land gazettal under the *Mineral Titles Act* and all land vested in the Commonwealth of Australia is also excluded by description but not excised from the grant area.

359/21

Mineral Titles Act
NOTICE OF GRANT OF A MINERAL TITLE

Title Type and Number: Exploration Licence 32647
Granted: 21 September 2021, for a period of 6 Years
Area: 249 Blocks, 770.55 km²
Locality: BEDDOME
Name of Holder/s: 100% TRI-STAR ENERGY COMPANY [ACN. 089 539 695]



Area granted is indicated above. The titleholder is not permitted to exercise occupational rights on any land that is subject to a development title, or an application for a development title. Any land the subject of a Reserved Land gazettal under the *Mineral Titles Act* and all land vested in the Commonwealth of Australia is also excluded by description but not excised from the grant area.

361/21