

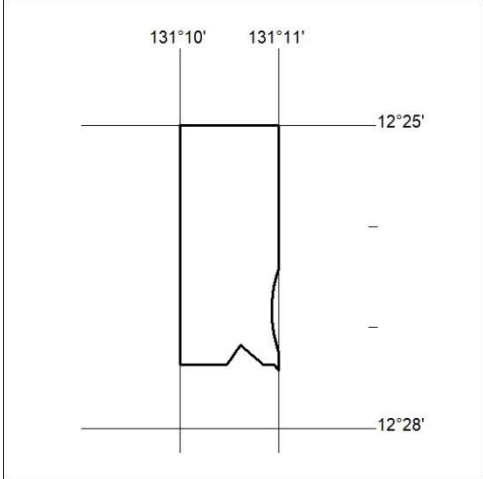
MN48/21

DARWIN

21 May 2021

Mineral Titles Act
NOTICE OF GRANT OF A MINERAL TITLE

Title Type and Number: Extractive Mineral Exploration Licence 32383
Granted: 18 May 2021, for a period of 2 Years
Area: 3 Blocks, 7.69 km²
Locality: KOOLPINYAH
Name of Holder/s: 100% SAGE PROPERTIES (NT) PTY LTD
[ACN. 154 373 654]

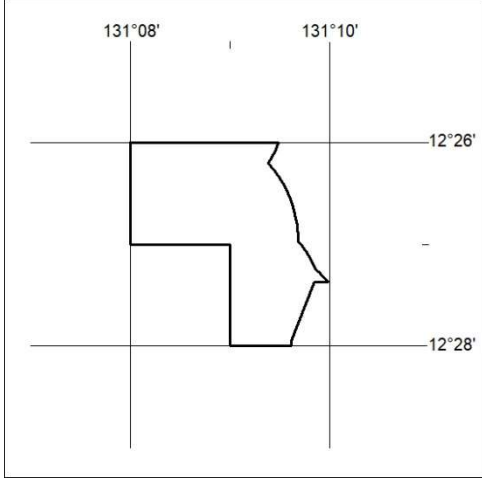


Area granted is indicated above. The titleholder is not permitted to exercise occupational rights on any land that is subject to a development title, or an application for a development title. Any land the subject of a Reserved Land gazettal under the *Mineral Titles Act* and all land vested in the Commonwealth of Australia is also excluded by description but not excised from the grant area.

168/21

Mineral Titles Act
NOTICE OF GRANT OF A MINERAL TITLE

Title Type and Number: Extractive Mineral Exploration Licence 32385
Granted: 18 May 2021, for a period of 2 Years
Area: 3 Blocks, 7.82 km²
Locality: KOOLPINYAH
Name of Holder/s: 100% SAGE PROPERTIES (NT) PTY LTD
[ACN. 154 373 654]

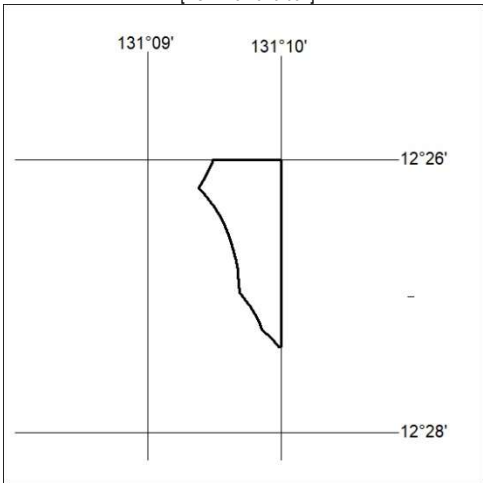


Area granted is indicated above. The titleholder is not permitted to exercise occupational rights on any land that is subject to a development title, or an application for a development title. Any land the subject of a Reserved Land gazettal under the *Mineral Titles Act* and all land vested in the Commonwealth of Australia is also excluded by description but not excised from the grant area.

170/21

Mineral Titles Act
NOTICE OF GRANT OF A MINERAL TITLE

Title Type and Number: Extractive Mineral Exploration Licence 32384
Granted: 18 May 2021, for a period of 2 Years
Area: 2 Blocks, 1.66 km²
Locality: KOOLPINYAH
Name of Holder/s: 100% SAGE PROPERTIES (NT) PTY LTD
[ACN. 154 373 654]



Area granted is indicated above. The titleholder is not permitted to exercise occupational rights on any land that is subject to a development title, or an application for a development title. Any land the subject of a Reserved Land gazettal under the *Mineral Titles Act* and all land vested in the Commonwealth of Australia is also excluded by description but not excised from the grant area.

169/21