

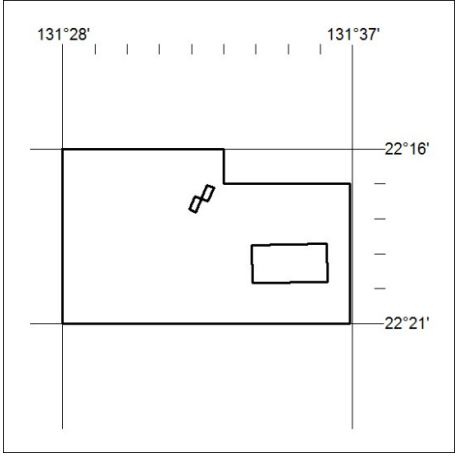
MN66/19

DARWIN

29 May 2019

Mineral Titles Act 2010
NOTICE OF LAND CEASING TO BE A MINERAL TITLE AREA

Title Type and Number: Exploration Licence 24463
 Area Ceased on: 24 May 2019
 Area: 41 Blocks, 120.56 km²
 Locality: YUENDUMU
 Name of Applicant(s)/Holder(s): 100% ENERGY METALS LTD [ACN. 111 306 533]

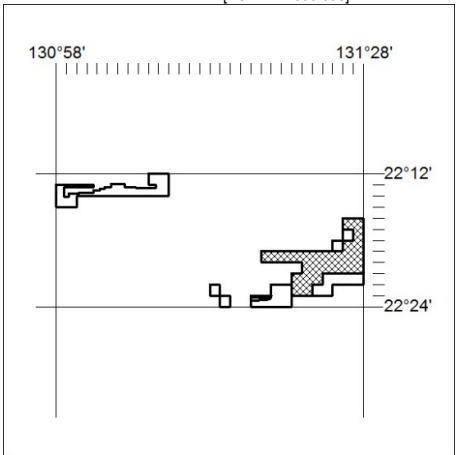


**(Area now amalgamated into Exploration Licence 32113
under s102 – EL moratorium period does not apply)**

201/19

Mineral Titles Act 2010
NOTICE OF LAND CEASING TO BE A MINERAL TITLE AREA

Title Type and Number: Exploration Licence 32108
 Area Ceased on: 24 May 2019
 Area: 59 Blocks, 170.18 km²
 Locality: DOREEN
 Name of Applicant(s)/Holder(s): 100% ENERGY METALS LTD [ACN. 111 306 533]



**(Hatched area now amalgamated into Exploration
Licence 32113 under s102 – EL moratorium period does
not apply to this area)**

202/19