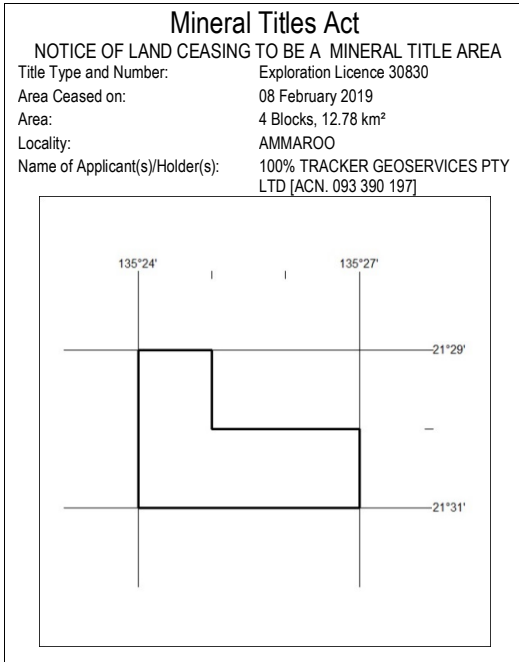


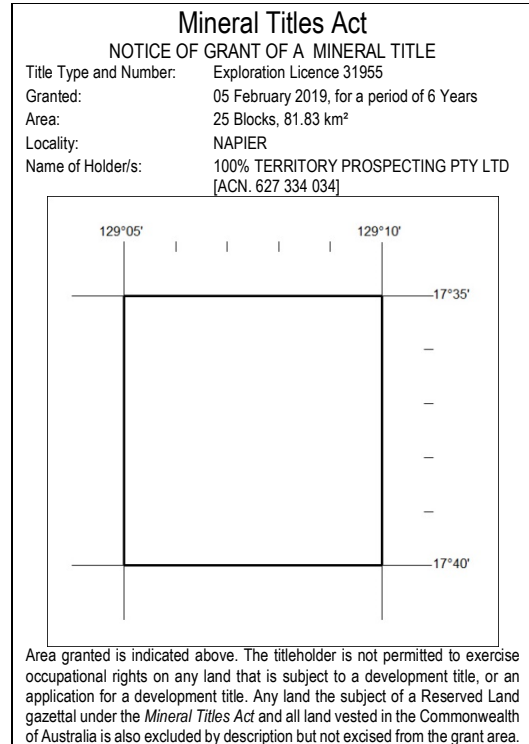
MN15/19

DARWIN

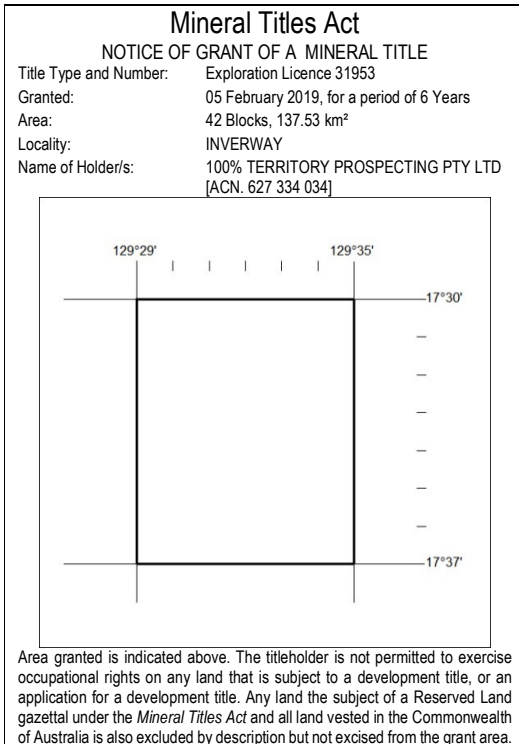
8 February 2019



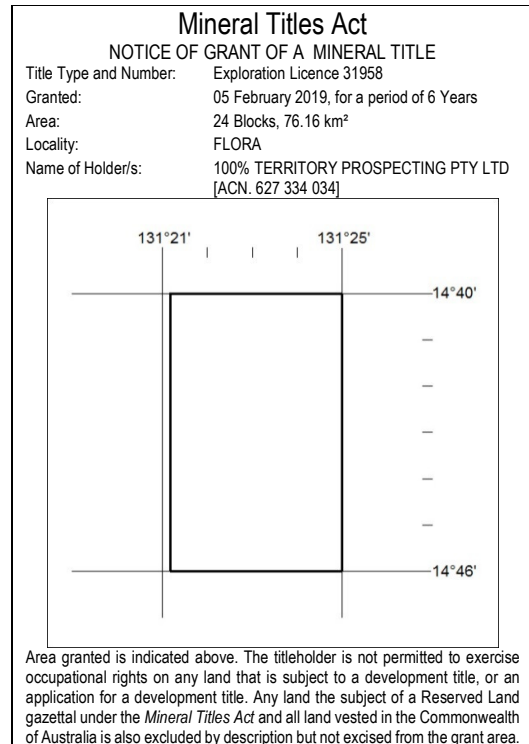
42/19



44/19



43/19



45/19

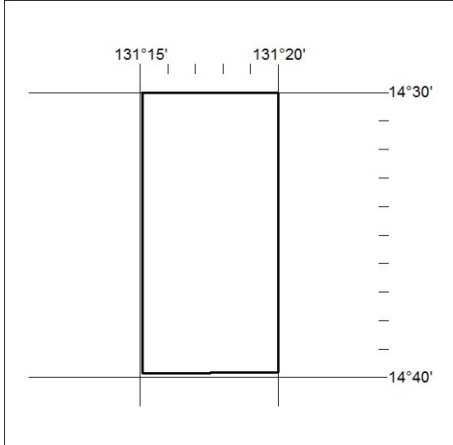
MN15/19

DARWIN

8 February 2019

Mineral Titles Act
NOTICE OF GRANT OF A MINERAL TITLE

Title Type and Number: Exploration Licence 31962
 Granted: 05 February 2019, for a period of 6 Years
 Area: 50 Blocks, 160.17 km²
 Locality: FLORA
 Name of Holder/s: 100% TERRITORY PROSPECTING PTY LTD
 [ACN. 627 334 034]

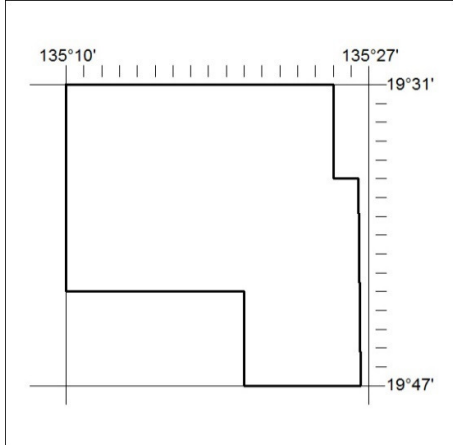


Area granted is indicated above. The titleholder is not permitted to exercise occupational rights on any land that is subject to a development title, or an application for a development title. Any land the subject of a Reserved Land gazettal under the *Mineral Titles Act* and all land vested in the Commonwealth of Australia is also excluded by description but not excised from the grant area.

46/19

Mineral Titles Act
NOTICE OF GRANT OF A MINERAL TITLE

Title Type and Number: Exploration Licence 31964
 Granted: 06 February 2019, for a period of 6 Years
 Area: 212 Blocks, 667.87 km²
 Locality: FAVENC
 Name of Holder/s: 100% NEWCREST OPERATIONS LIMITED
 [ACN. 009 221 505]

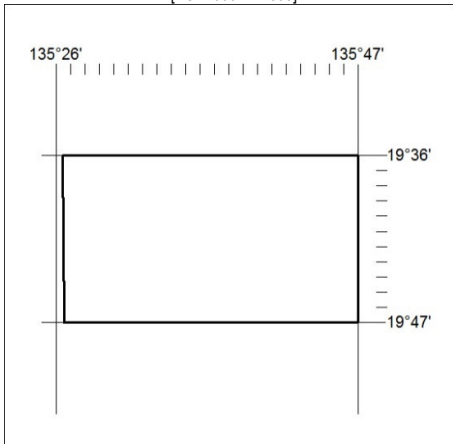


Area granted is indicated above. The titleholder is not permitted to exercise occupational rights on any land that is subject to a development title, or an application for a development title. Any land the subject of a Reserved Land gazettal under the *Mineral Titles Act* and all land vested in the Commonwealth of Australia is also excluded by description but not excised from the grant area.

48/19

Mineral Titles Act
NOTICE OF GRANT OF A MINERAL TITLE

Title Type and Number: Exploration Licence 31963
 Granted: 06 February 2019, for a period of 6 Years
 Area: 231 Blocks, 729.27 km²
 Locality: DALMORE
 Name of Holder/s: 100% NEWCREST OPERATIONS LIMITED
 [ACN. 009 221 505]



Area granted is indicated above. The titleholder is not permitted to exercise occupational rights on any land that is subject to a development title, or an application for a development title. Any land the subject of a Reserved Land gazettal under the *Mineral Titles Act* and all land vested in the Commonwealth of Australia is also excluded by description but not excised from the grant area.

47/19