

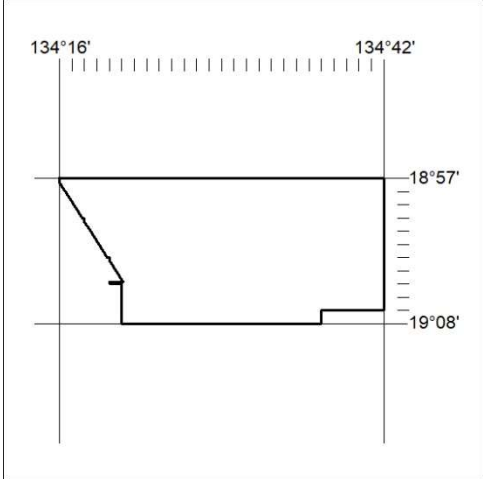
MN99/21

DARWIN

11 October 2021

Mineral Titles Act
NOTICE OF GRANT OF A MINERAL TITLE

Title Type and Number: Exploration Licence 32478
Granted: 08 October 2021, for a period of 6 Years
Area: 250 Blocks, 798.52 km²
Locality: FLYNN
Name of Holder/s: 100% BAUDIN RESOURCES PTY LTD [ACN. 618 455 593]

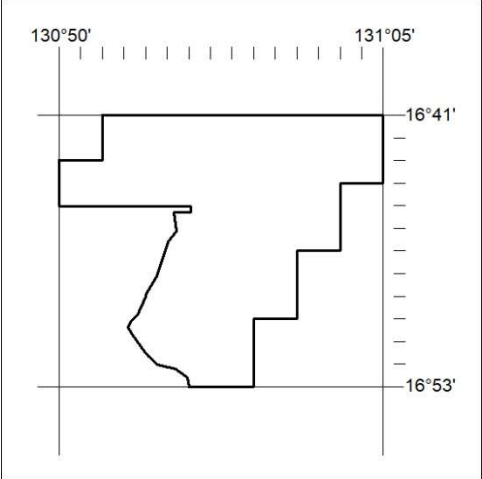


Area granted is indicated above. The titleholder is not permitted to exercise occupational rights on any land that is subject to a development title, or an application for a development title. Any land the subject of a Reserved Land gazettal under the *Mineral Titles Act* and all land vested in the Commonwealth of Australia is also excluded by description but not excised from the grant area.

375/21

Mineral Titles Act
NOTICE OF GRANT OF A MINERAL TITLE

Title Type and Number: Exploration Licence 32641
Granted: 08 October 2021, for a period of 6 Years
Area: 115 Blocks, 340.91 km²
Locality: MT SANFORD
Name of Holder/s: 100% ALBIAN RESOURCES PTY LTD [ACN. 629 786 161]

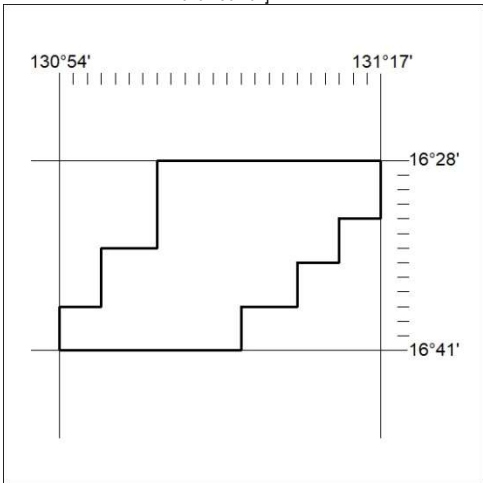


Area granted is indicated above. The titleholder is not permitted to exercise occupational rights on any land that is subject to a development title, or an application for a development title. Any land the subject of a Reserved Land gazettal under the *Mineral Titles Act* and all land vested in the Commonwealth of Australia is also excluded by description but not excised from the grant area.

377/21

Mineral Titles Act
NOTICE OF GRANT OF A MINERAL TITLE

Title Type and Number: Exploration Licence 32640
Granted: 08 October 2021, for a period of 6 Years
Area: 188 Blocks, 618.83 km²
Locality: PIGEON
Name of Holder/s: 100% ALBIAN RESOURCES PTY LTD [ACN. 629 786 161]



Area granted is indicated above. The titleholder is not permitted to exercise occupational rights on any land that is subject to a development title, or an application for a development title. Any land the subject of a Reserved Land gazettal under the *Mineral Titles Act* and all land vested in the Commonwealth of Australia is also excluded by description but not excised from the grant area.

376/21