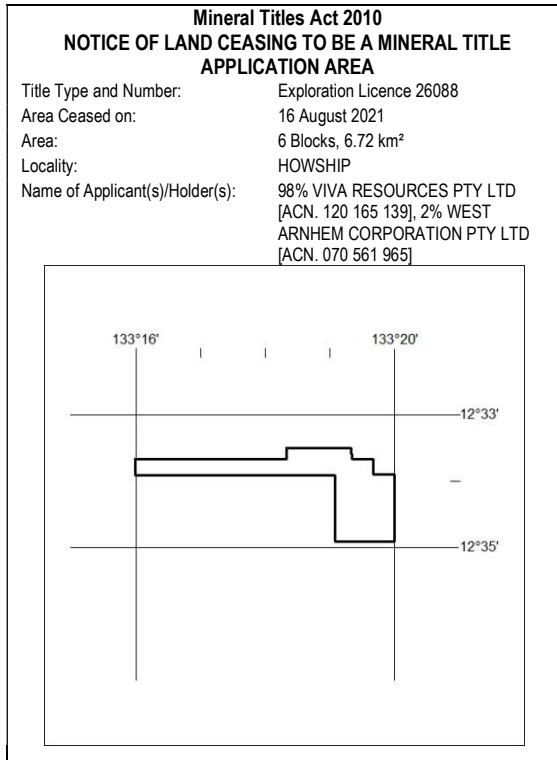


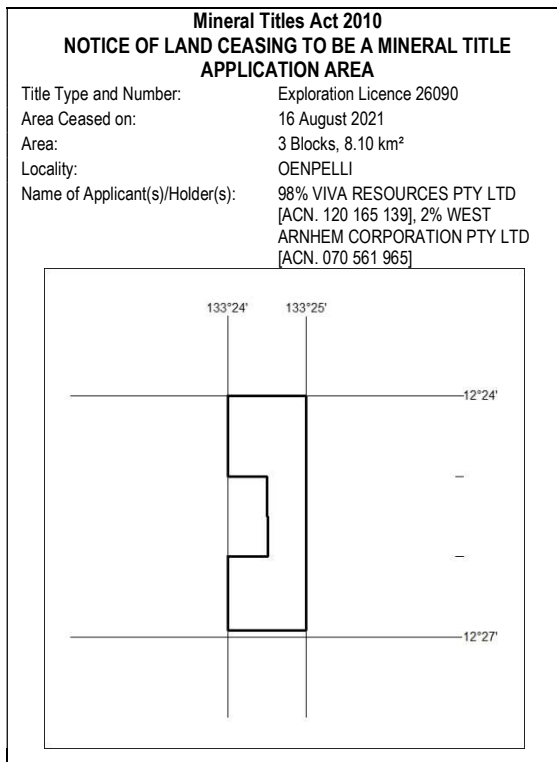
MN77/21

DARWIN

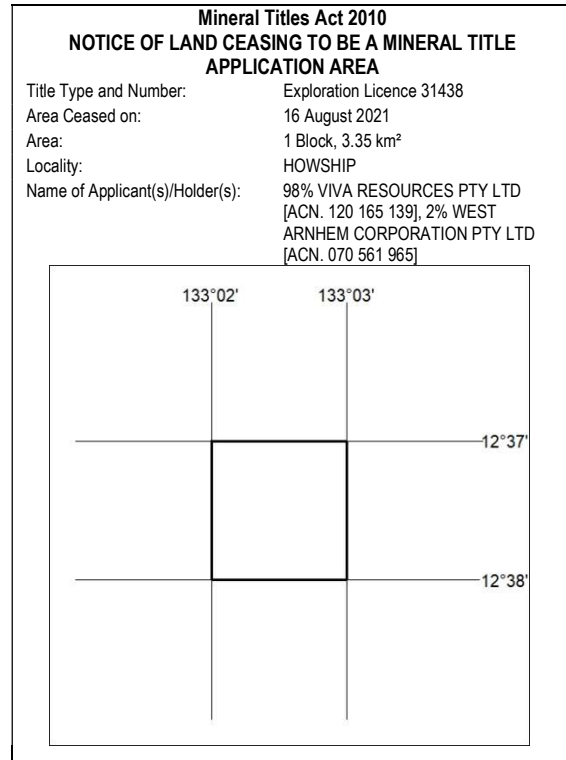
20 August 2021



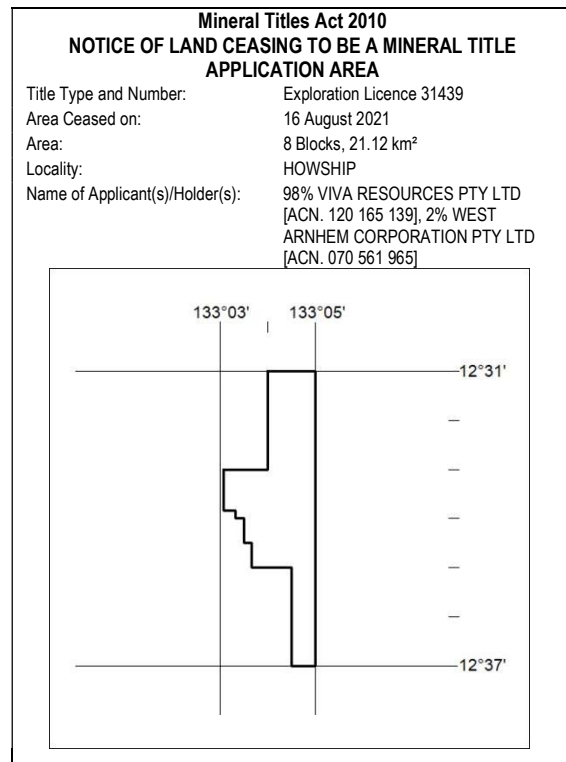
311/21



312/21



313/21



314/21

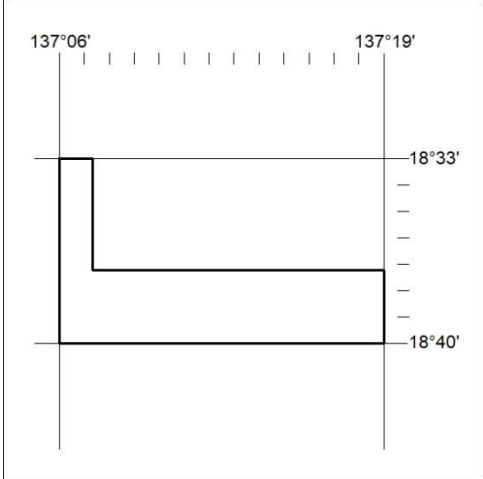
MN77/21

DARWIN

20 August 2021

Mineral Titles Act
NOTICE OF GRANT OF A MINERAL TITLE

Title Type and Number: Exploration Licence 32620
Granted: 16 August 2021, for a period of 6 Years
Area: 47 Blocks, 135.07 km²
Locality: MITCHIEBO
Name of Holder/s: 100% CIENTIFICA PTY LTD [ACN. 645 504 178]

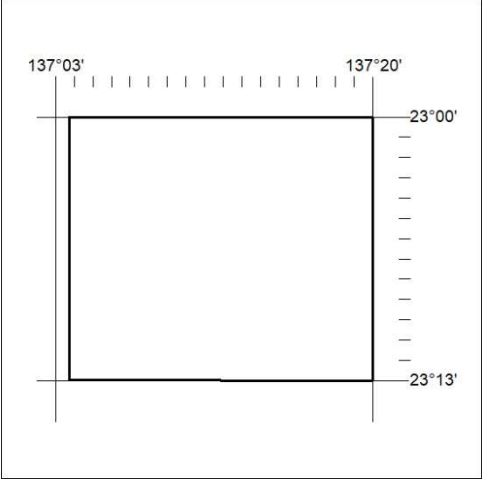


Area granted is indicated above. The titleholder is not permitted to exercise occupational rights on any land that is subject to a development title, or an application for a development title. Any land the subject of a Reserved Land gazettal under the *Mineral Titles Act* and all land vested in the Commonwealth of Australia is also excluded by description but not excised from the grant area.

315/21

Mineral Titles Act
NOTICE OF GRANT OF A MINERAL TITLE

Title Type and Number: Exploration Licence 32632
Granted: 18 August 2021, for a period of 6 Years
Area: 221 Blocks, 667.73 km²
Locality: MT BARRINGTON
Name of Holder/s: 100% PLUTONIC LIMITED [ACN. 632 991 167]

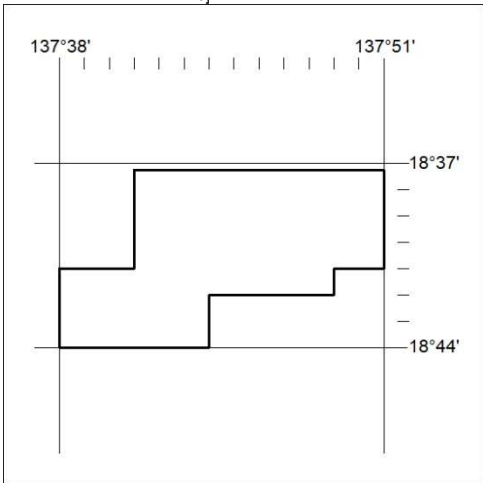


Area granted is indicated above. The titleholder is not permitted to exercise occupational rights on any land that is subject to a development title, or an application for a development title. Any land the subject of a Reserved Land gazettal under the *Mineral Titles Act* and all land vested in the Commonwealth of Australia is also excluded by description but not excised from the grant area.

317/21

Mineral Titles Act
NOTICE OF GRANT OF A MINERAL TITLE

Title Type and Number: Exploration Licence 32622
Granted: 16 August 2021, for a period of 6 Years
Area: 63 Blocks, 196.80 km²
Locality: CARRARA
Name of Holder/s: 100% CIENTIFICA PTY LTD [ACN. 645 504 178]

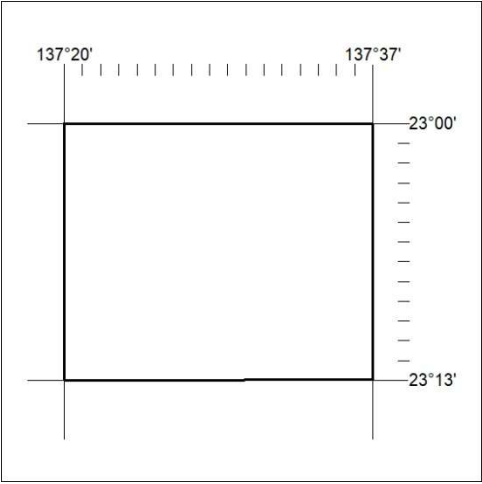


Area granted is indicated above. The titleholder is not permitted to exercise occupational rights on any land that is subject to a development title, or an application for a development title. Any land the subject of a Reserved Land gazettal under the *Mineral Titles Act* and all land vested in the Commonwealth of Australia is also excluded by description but not excised from the grant area.

316/21

Mineral Titles Act
NOTICE OF GRANT OF A MINERAL TITLE

Title Type and Number: Exploration Licence 32633
Granted: 18 August 2021, for a period of 6 Years
Area: 221 Blocks, 697.77 km²
Locality: MT BARRINGTON
Name of Holder/s: 100% PLUTONIC LIMITED [ACN. 632 991 167]



Area granted is indicated above. The titleholder is not permitted to exercise occupational rights on any land that is subject to a development title, or an application for a development title. Any land the subject of a Reserved Land gazettal under the *Mineral Titles Act* and all land vested in the Commonwealth of Australia is also excluded by description but not excised from the grant area.

318/21

MN77/21

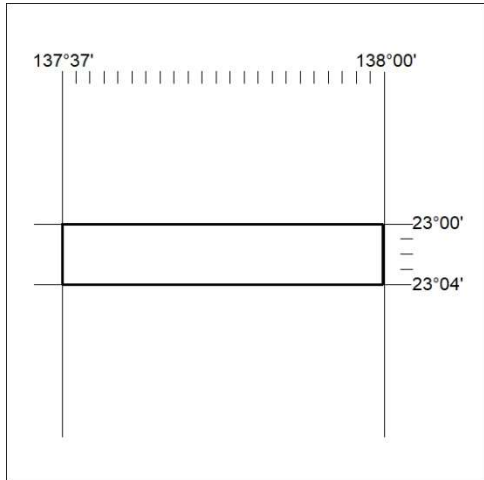
DARWIN

20 August 2021

Mineral Titles Act

NOTICE OF GRANT OF A MINERAL TITLE

Title Type and Number: Exploration Licence 32637
 Granted: 18 August 2021, for a period of 6 Years
 Area: 92 Blocks, 289.47 km²
 Locality: ADAM
 Name of Holder/s: 100% PLUTONIC LIMITED [ACN. 632 991 167]



Area granted is indicated above. The titleholder is not permitted to exercise occupational rights on any land that is subject to a development title, or an application for a development title. Any land the subject of a Reserved Land gazettal under the *Mineral Titles Act* and all land vested in the Commonwealth of Australia is also excluded by description but not excised from the grant area.

319/21