

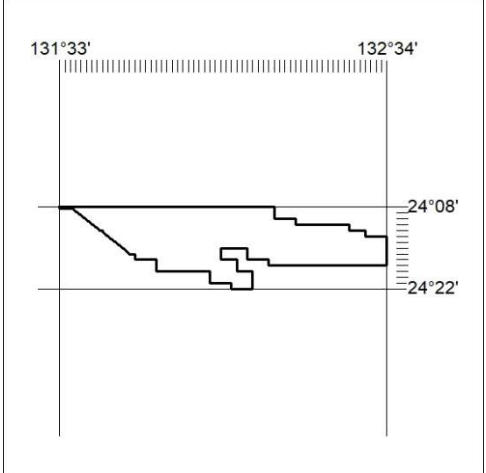
MN121/20

DARWIN

11 December 2020

**Mineral Titles Act 2010
NOTICE OF LAND CEASING TO BE A MINERAL TITLE
APPLICATION AREA**

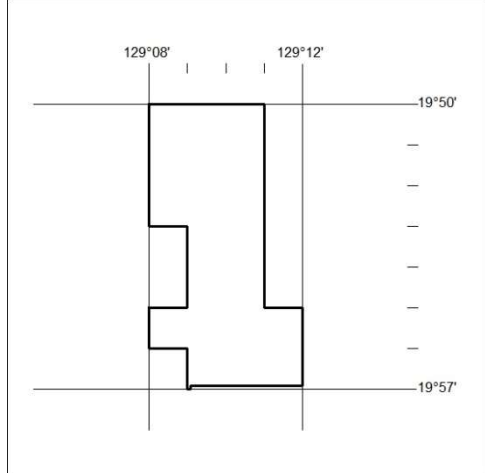
Title Type and Number: Exploration Licence 25048
 Area Ceased on: 10 December 2020
 Area: 475 Blocks, 1458.83 km²
 Locality: AREYONGA
 Name of Applicant(s)/Holder(s): 100% NOVA ENERGY PTY LTD*
 [ACN. 111 599 154]



408/20

**Mineral Titles Act 2010
NOTICE OF LAND CEASING TO BE A MINERAL TITLE
APPLICATION AREA**

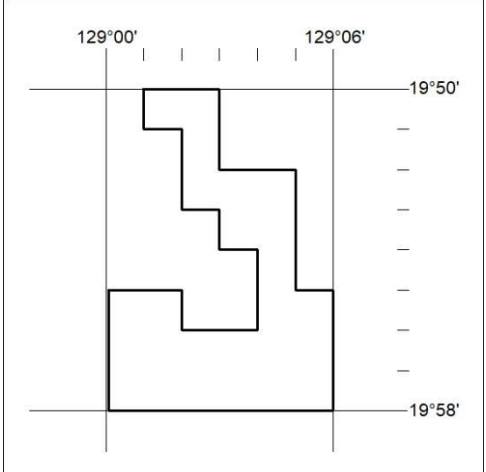
Title Type and Number: Exploration Licence 26636
 Area Ceased on: 10 December 2020
 Area: 20 Blocks, 63.79 km²
 Locality: PARGEE
 Name of Applicant(s)/Holder(s): 100% TORO ENERGY LIMITED [ACN.
 117 127 590]



410/20

**Mineral Titles Act 2010
NOTICE OF LAND CEASING TO BE A MINERAL TITLE
APPLICATION AREA**

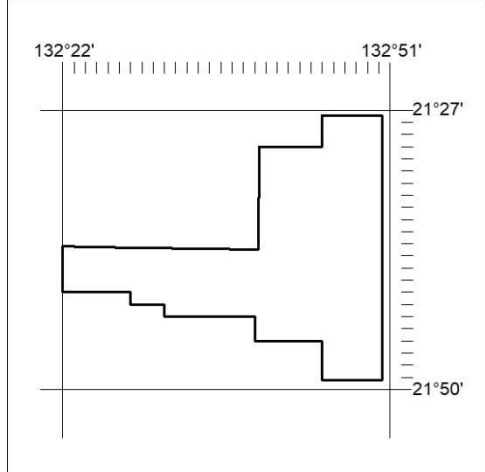
Title Type and Number: Exploration Licence 26601
 Area Ceased on: 10 December 2020
 Area: 25 Blocks, 79.99 km²
 Locality: PARGEE
 Name of Applicant(s)/Holder(s): 100% TORO ENERGY LIMITED [ACN.
 117 127 590]



409/20

**Mineral Titles Act 2010
NOTICE OF LAND CEASING TO BE A MINERAL TITLE
APPLICATION AREA**

Title Type and Number: Exploration Licence 26740
 Area Ceased on: 10 December 2020
 Area: 321 Blocks, 923.82 km²
 Locality: MOUNT PEAKE
 Name of Applicant(s)/Holder(s): 100% TORO ENERGY LIMITED [ACN.
 117 127 590]

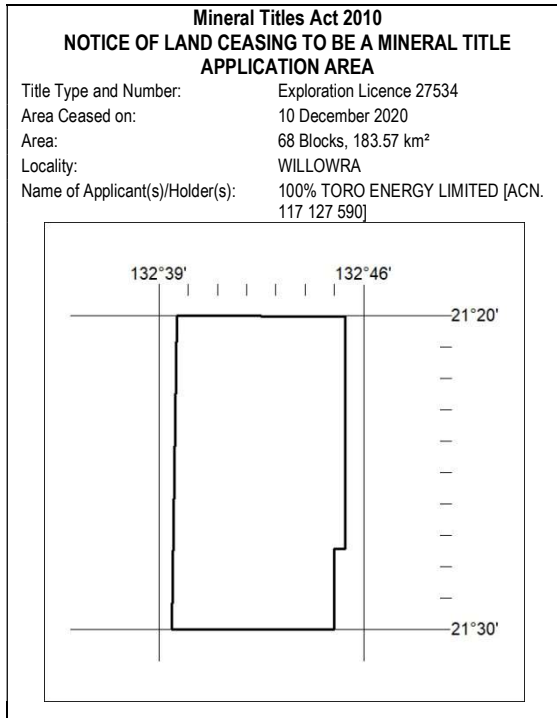


411/20

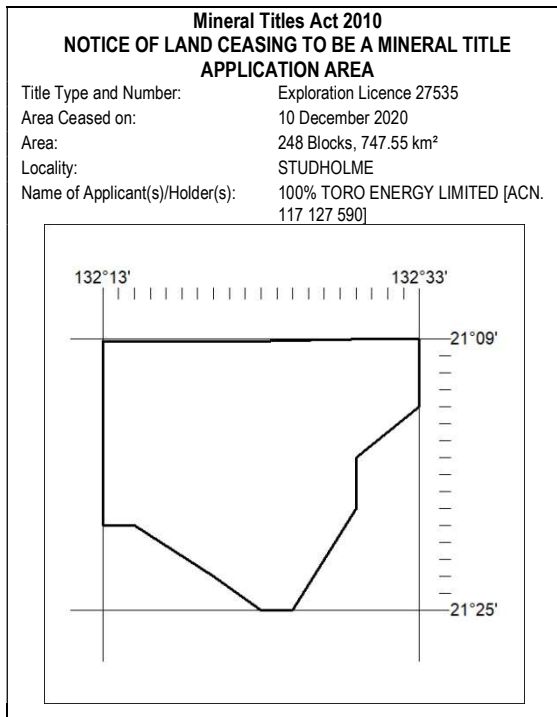
MN121/20

DARWIN

11 December 2020



412/20



413/20