

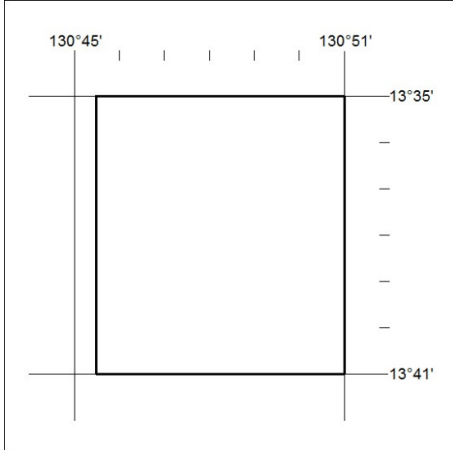
MN78/19

DARWIN

3 July 2019

Mineral Titles Act
NOTICE OF GRANT OF A MINERAL TITLE

Title Type and Number: Exploration Licence 32016
 Granted: 28 June 2019, for a period of 6 Years
 Area: 36 Blocks, 110.44 km²
 Locality: DALY RIVER
 Name of Holder/s: 100% HAMERSLEY METALS PTY LTD [ACN. 622 868 213]

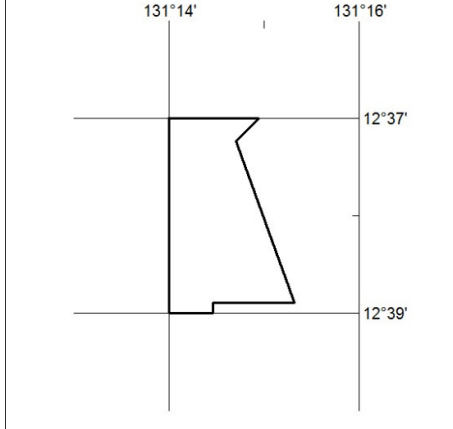


Area granted is indicated above. The titleholder is not permitted to exercise occupational rights on any land that is subject to a development title, or an application for a development title. Any land the subject of a Reserved Land gazettal under the *Mineral Titles Act* and all land vested in the Commonwealth of Australia is also excluded by description but not excised from the grant area.

271/19

Mineral Titles Act
NOTICE OF GRANT OF A MINERAL TITLE

Title Type and Number: Extractive Mineral Exploration Licence 32024
 Granted: 01 July 2019, for a period of 2 Years
 Area: 3 Blocks, 6.44 km²
 Locality: NOONAMAH
 Name of Holder/s: 100% BEMINI PTY LTD [ACN. 608 851 430]

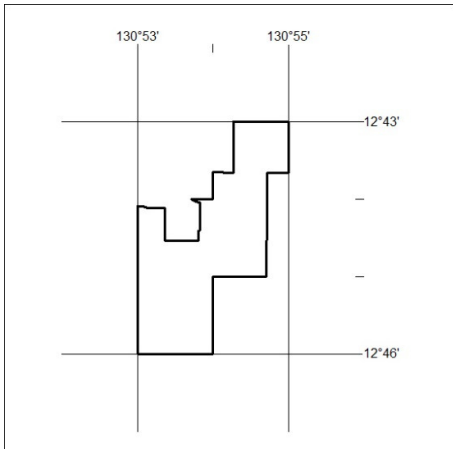


Area granted is indicated above. The titleholder is not permitted to exercise occupational rights on any land that is subject to a development title, or an application for a development title. Any land the subject of a Reserved Land gazettal under the *Mineral Titles Act* and all land vested in the Commonwealth of Australia is also excluded by description but not excised from the grant area.

273/19

Mineral Titles Act
NOTICE OF GRANT OF A MINERAL TITLE

Title Type and Number: Extractive Mineral Exploration Licence 32023
 Granted: 01 July 2019, for a period of 2 Years
 Area: 4 Blocks, 10.57 km²
 Locality: BYNOE
 Name of Holder/s: 100% BEMINI PTY LTD [ACN. 608 851 430]



Area granted is indicated above. The titleholder is not permitted to exercise occupational rights on any land that is subject to a development title, or an application for a development title. Any land the subject of a Reserved Land gazettal under the *Mineral Titles Act* and all land vested in the Commonwealth of Australia is also excluded by description but not excised from the grant area.

272/19