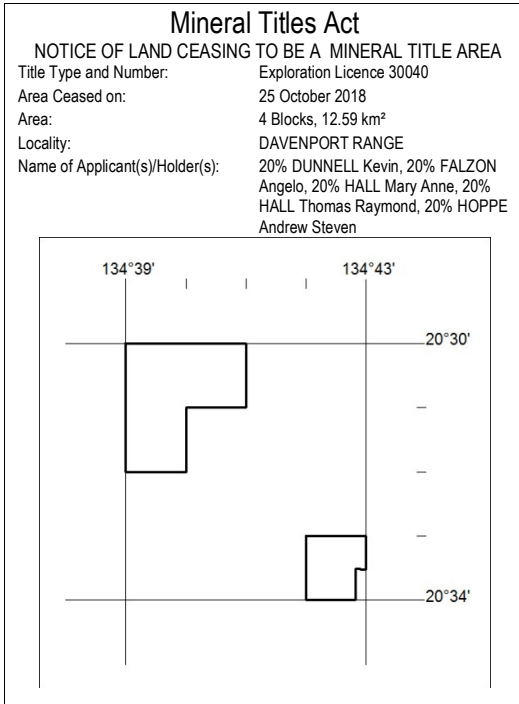


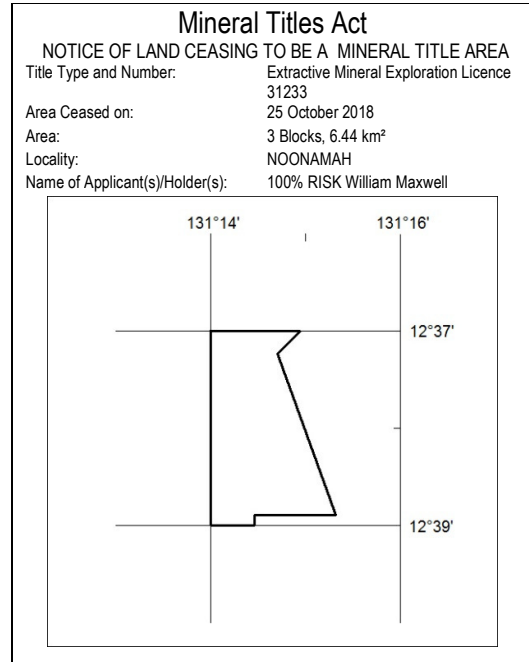
MN136/18

DARWIN

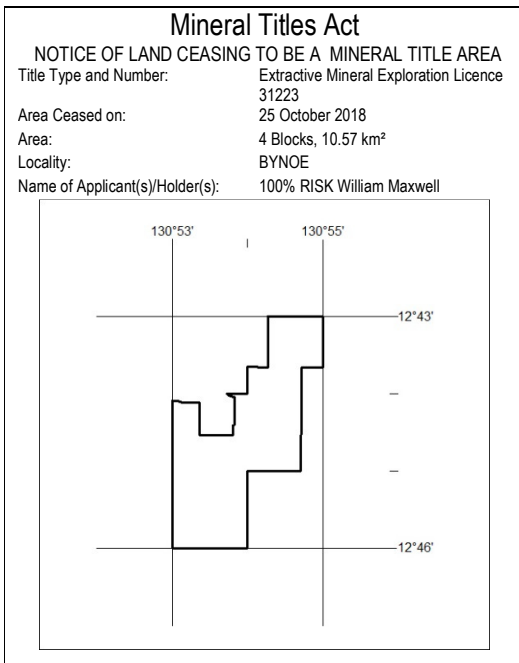
25 October 2018



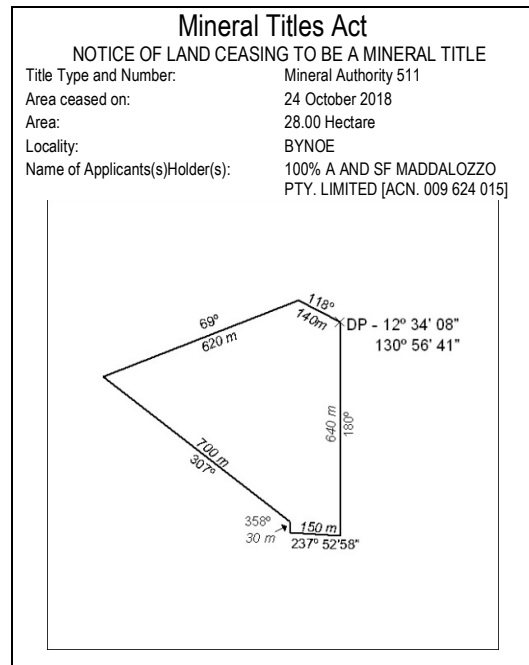
476/18



478/18



477/18

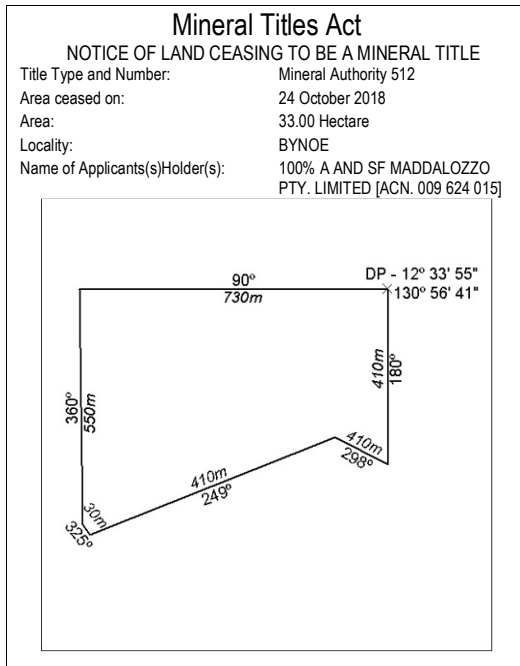


479/18

MN136/18

DARWIN

25 October 2018



480/18