

MN121/17

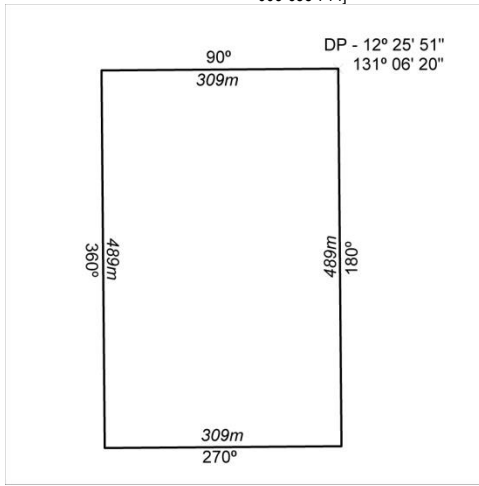
DARWIN

15 September 2017

Mineral Titles Act

NOTICE OF LAND CEASING TO BE A MINERAL TITLE

Title Type and Number: Extractive Mineral Permit 22217
 Area ceased on: 13 September 2017
 Area: 15.00 Hectare
 Locality: KOOLPINYAH
 Name of Applicant(s)/Holder(s): 100% INTEGRITY PTY. LTD. [ACN. 009 635 714]

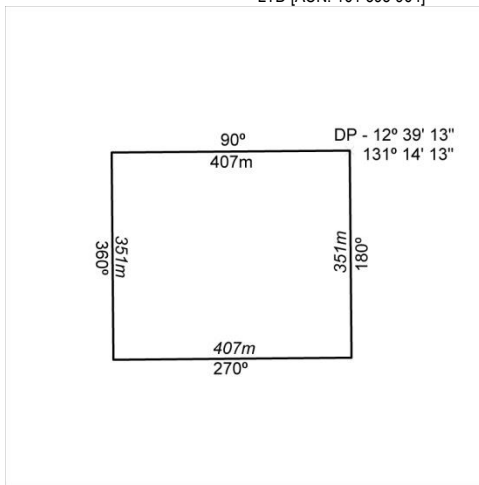


449/17

Mineral Titles Act

NOTICE OF LAND CEASING TO BE A MINERAL TITLE

Title Type and Number: Extractive Mineral Permit 31484
 Area ceased on: 12 September 2017
 Area: 14.00 Hectare
 Locality: NOONAMAH
 Name of Applicant(s)/Holder(s): 100% GOSSAN RESOURCES PTY LTD [ACN. 161 395 964]



450/17