

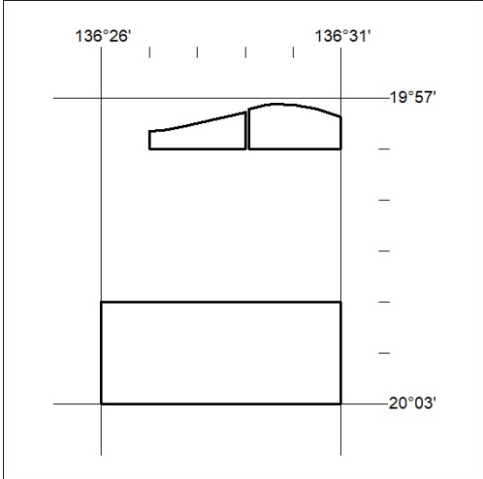
**MN50/20**

**DARWIN**

**28 May 2020**

**Mineral Titles Act 2010  
NOTICE OF LAND CEASING TO BE A MINERAL TITLE AREA**

Title Type and Number: Exploration Licence 29841  
 Area Ceased on: 26 May 2020  
 Area: 14 Blocks, 40.53 km<sup>2</sup>  
 Locality: WONARAH  
 Name of Applicant(s)/Holder(s): 100% MINEMAKERS AUSTRALIA PTY LTD\* [ACN. 081 911 917]

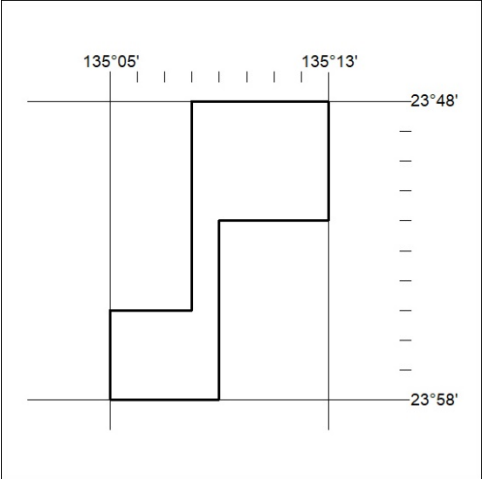


**(Area now amalgamated into Exploration Licence 32359 under s102 – EL moratorium period does not apply)**

**187/20**

**Mineral Titles Act 2010  
NOTICE OF LAND CEASING TO BE A MINERAL TITLE AREA**

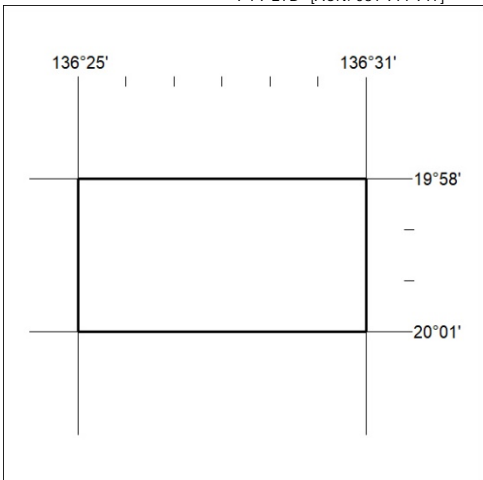
Title Type and Number: Exploration Licence 31926  
 Area Ceased on: 28 May 2020  
 Area: 35 Blocks, 109.92 km<sup>2</sup>  
 Locality: LIMBLA  
 Name of Applicant(s)/Holder(s): 100% MAY DOWNS RESOURCES PTY LTD [ACN. 624 302 530]



**189/20**

**Mineral Titles Act 2010  
NOTICE OF LAND CEASING TO BE A MINERAL TITLE AREA**

Title Type and Number: Exploration Licence 31477  
 Area Ceased on: 26 May 2020  
 Area: 18 Blocks, 58.10 km<sup>2</sup>  
 Locality: WONARAH  
 Name of Applicant(s)/Holder(s): 100% MINEMAKERS AUSTRALIA PTY LTD\* [ACN. 081 911 917]

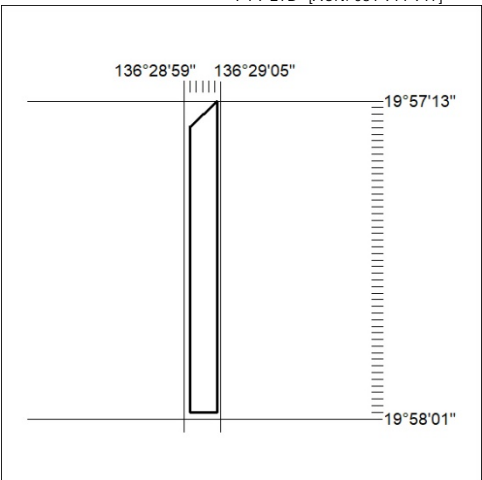


**(Area now amalgamated into Exploration Licence 32359 under s102 – EL moratorium period does not apply)**

**188/20**

**Mineral Titles Act 2010  
NOTICE OF LAND CEASING TO BE A MINERAL TITLE AREA**

Title Type and Number: Exploration Licence 32227  
 Area Ceased on: 26 May 2020  
 Area: 1 Block, .18 km<sup>2</sup>  
 Locality: WONARAH  
 Name of Applicant(s)/Holder(s): 100% MINEMAKERS AUSTRALIA PTY LTD\* [ACN. 081 911 917]



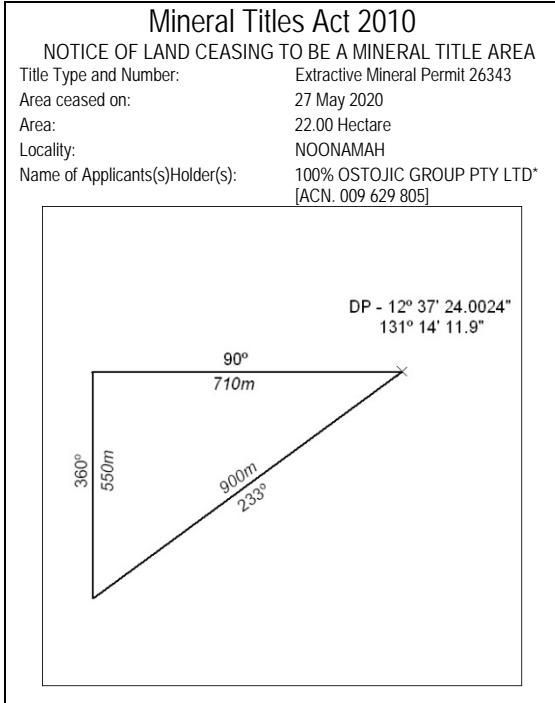
**(Area now amalgamated into Exploration Licence 32359 under s102 – EL moratorium period does not apply)**

**190/20**

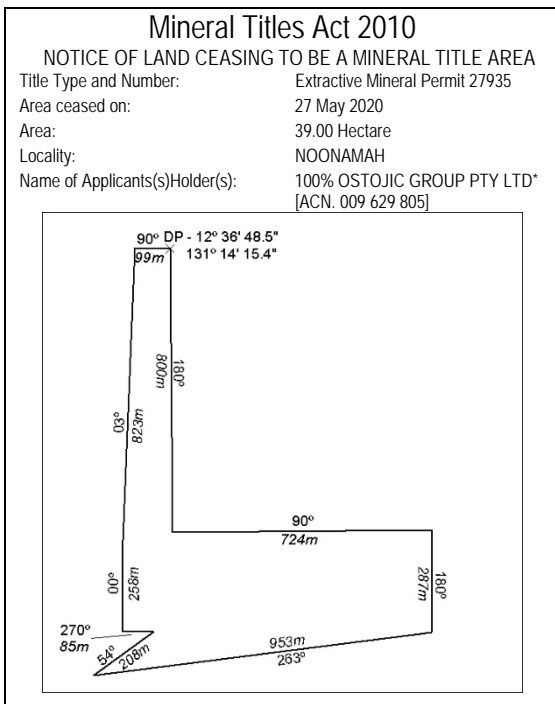
**MN50/20**

**DARWIN**

**28 May 2020**



**191/20**



**192/20**