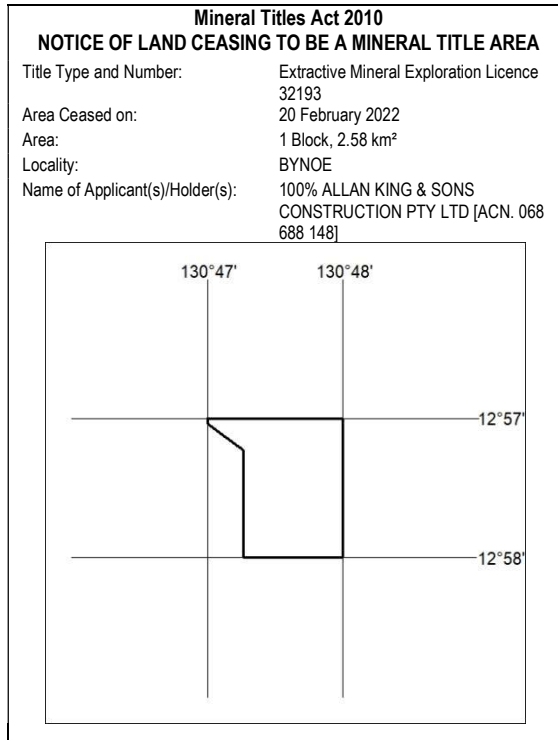


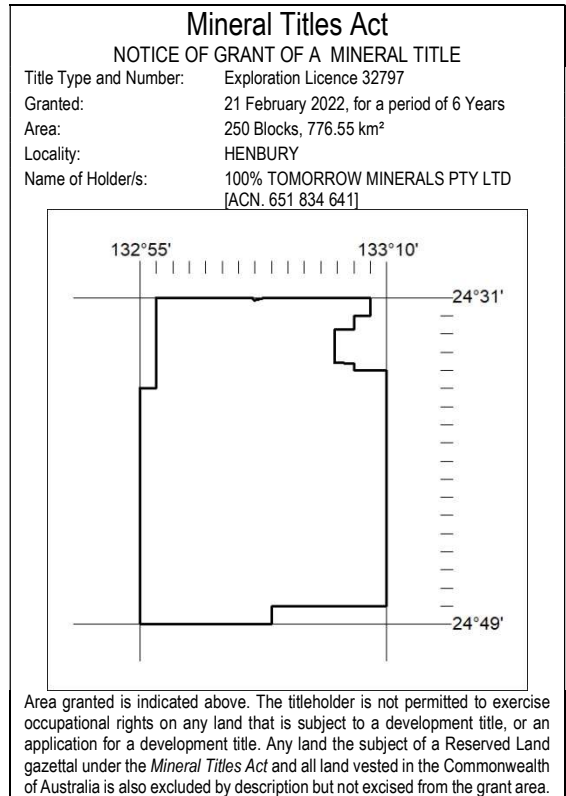
**MN13/22**

**DARWIN**

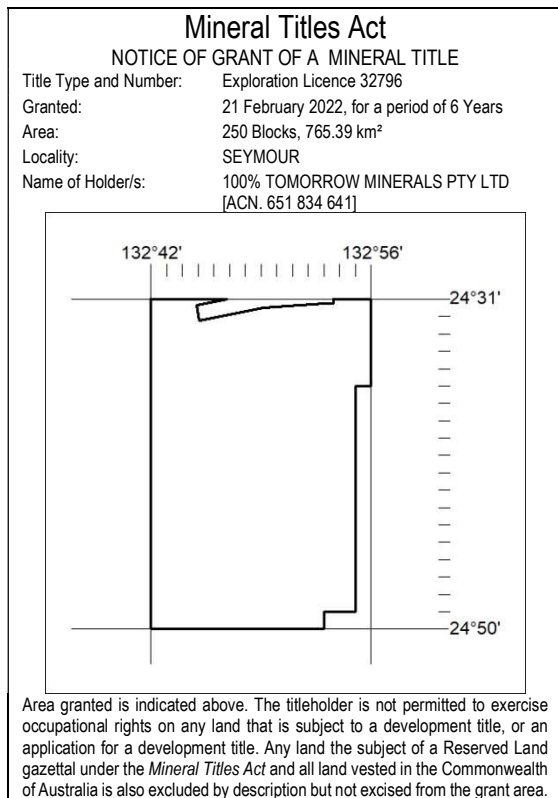
**21 February 2022**



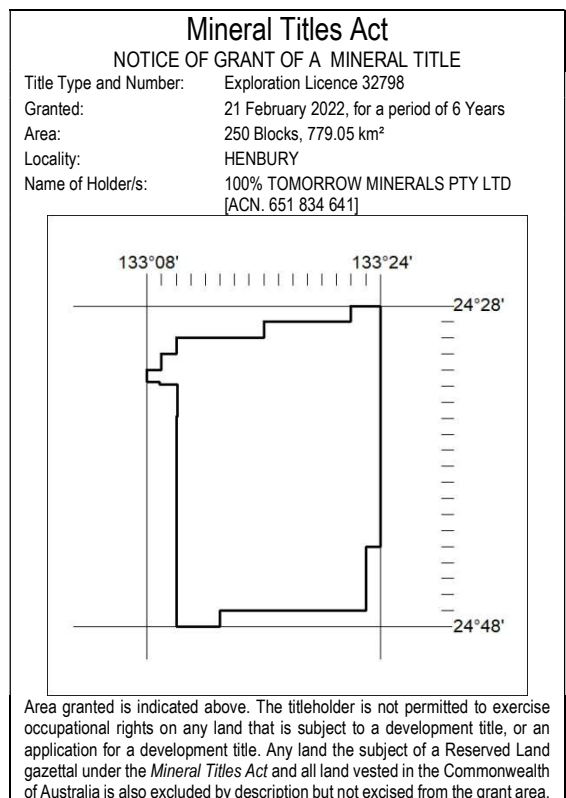
**32/22**



**34/22**



**33/22**

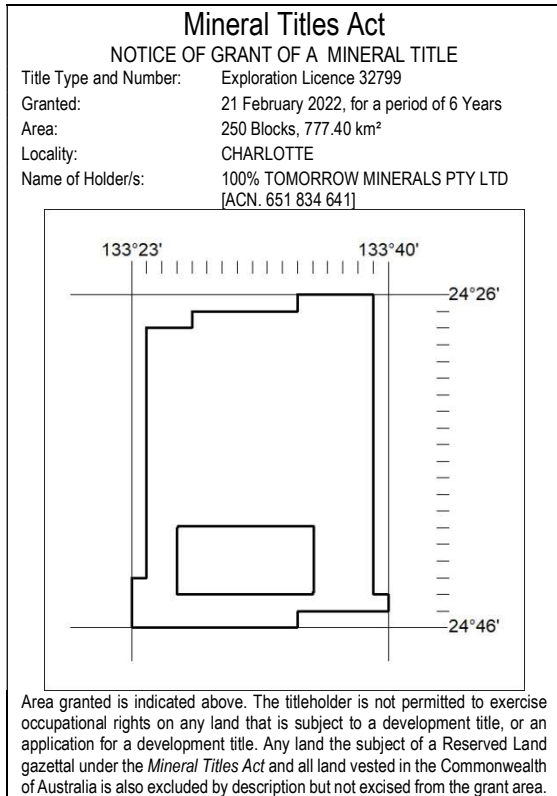


**35/22**

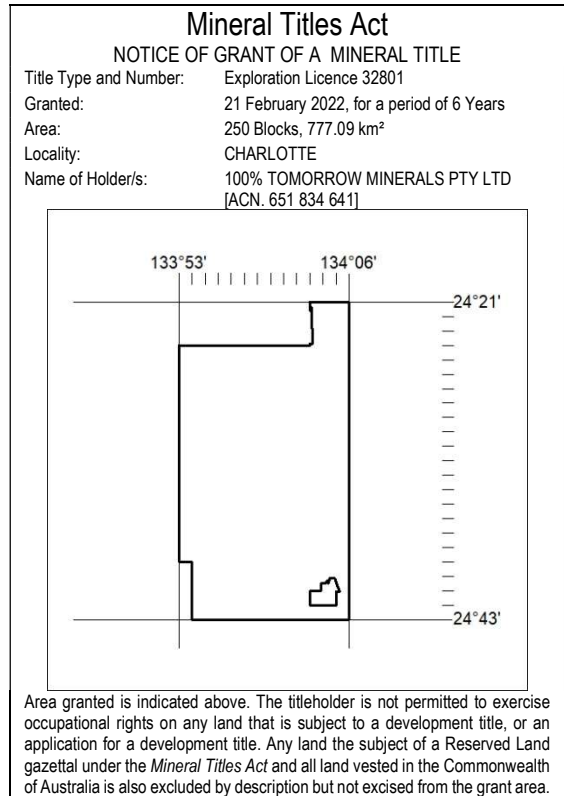
**MN13/22**

**DARWIN**

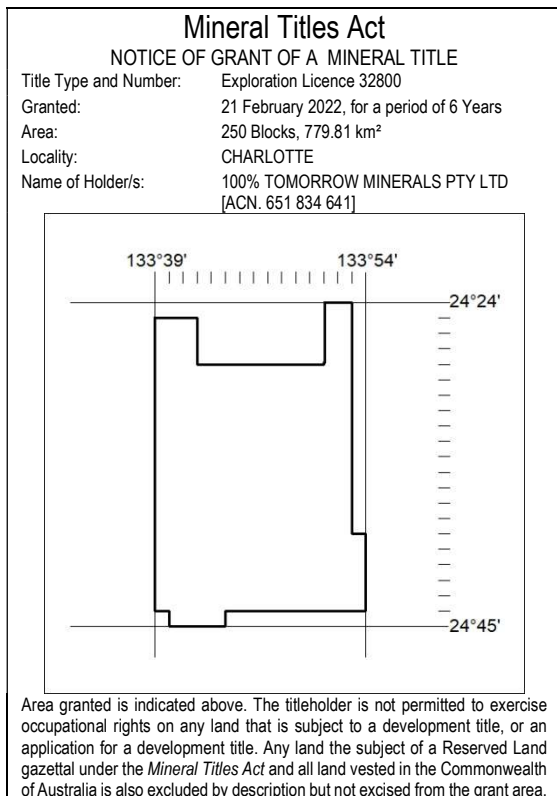
**21 February 2022**



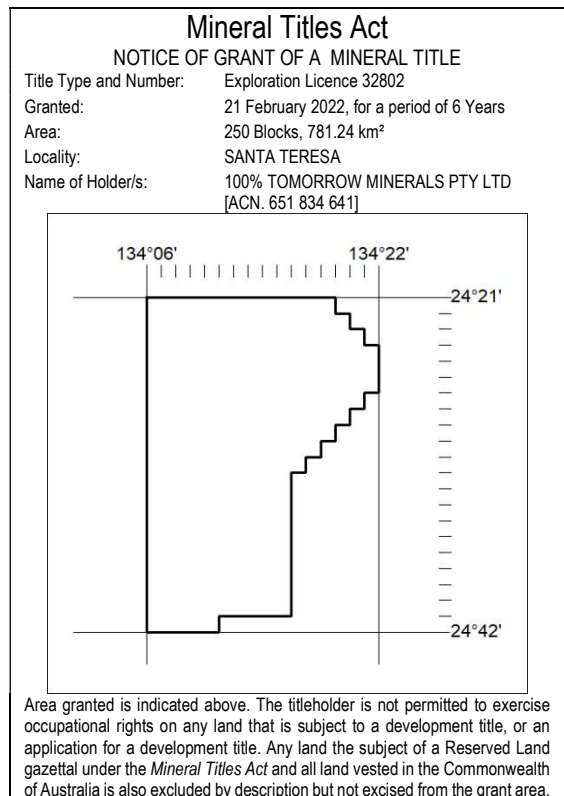
**36/22**



**38/22**



**37/22**



**39/22**

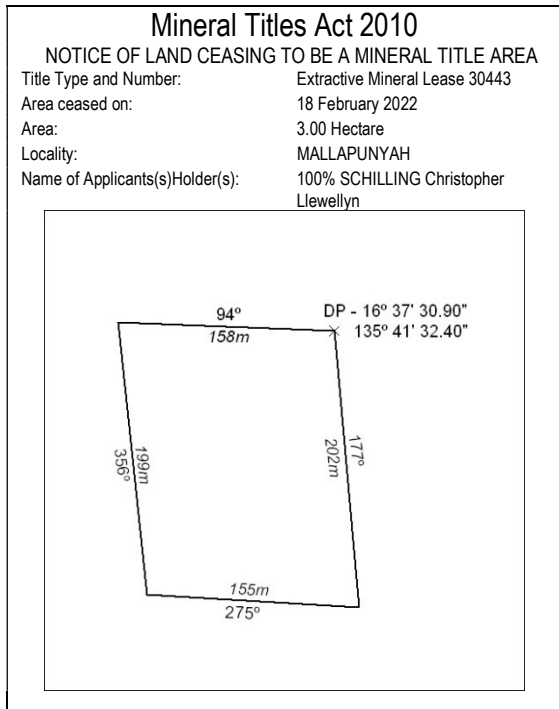
**MN13/22**

**DARWIN**

**21 February 2022**

**Corrigendum**

Notice Number 25/22 appearing in MN09/22 on 10 February 2022 is hereby cancelled and replaced by the following:



40/22