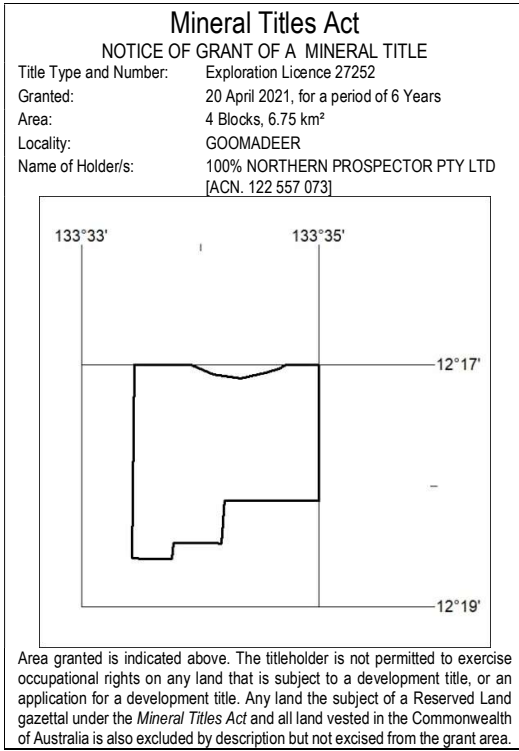


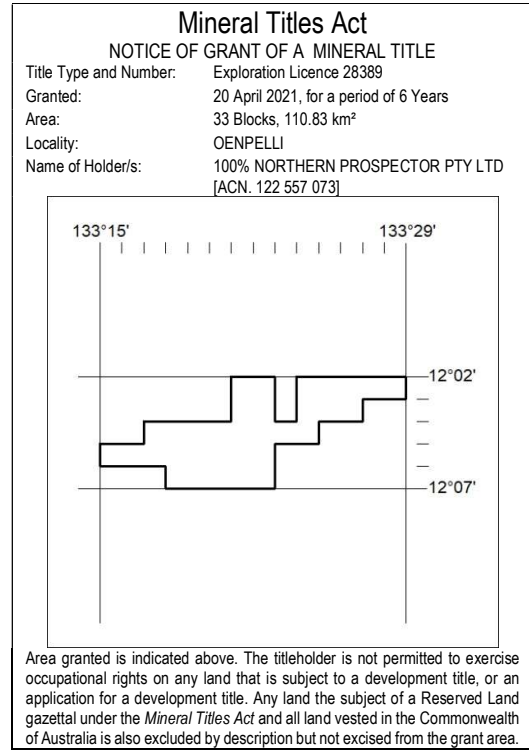
MN35/21

DARWIN

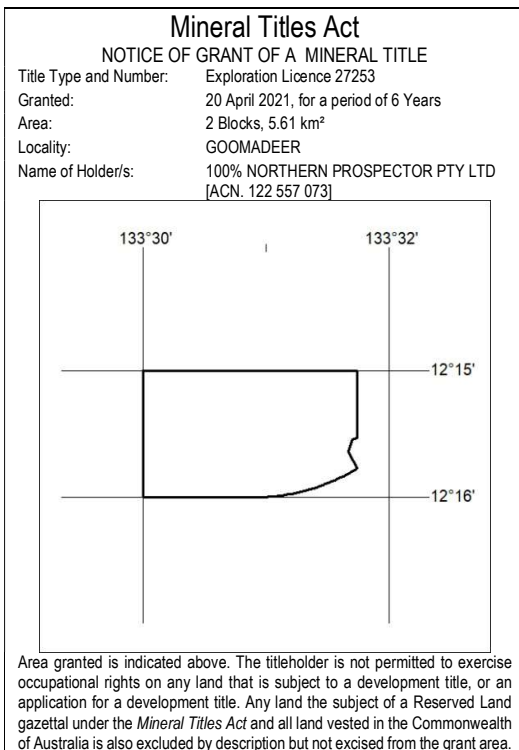
21 April 2021



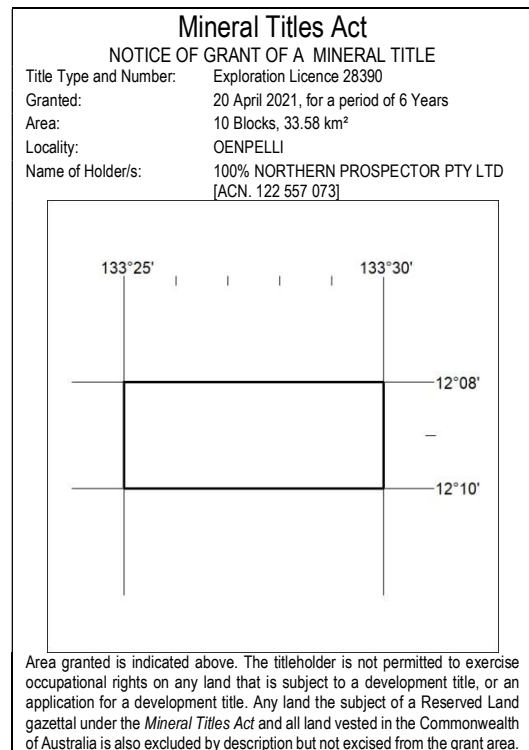
99/21



101/21



100/21

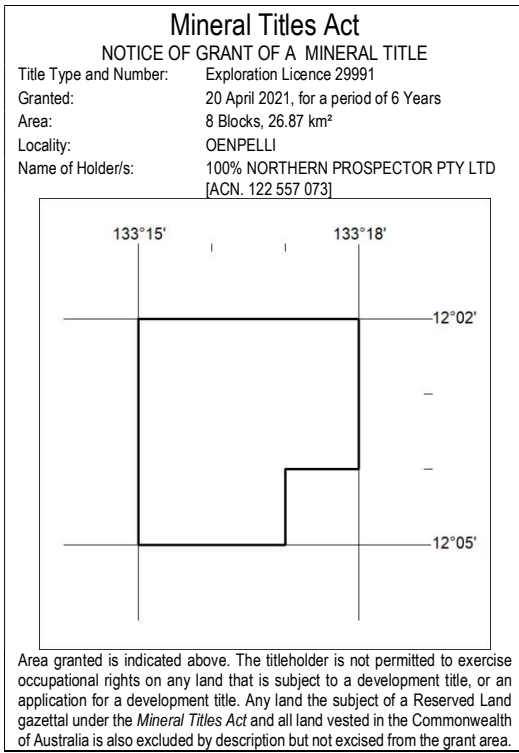


102/21

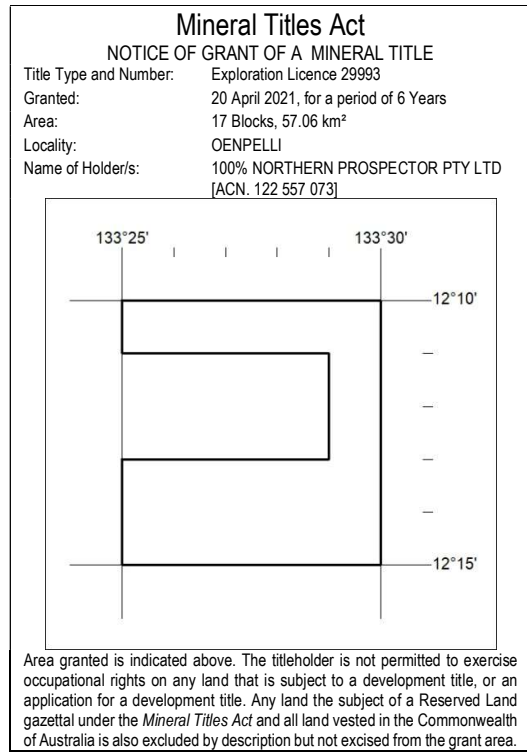
MN35/21

DARWIN

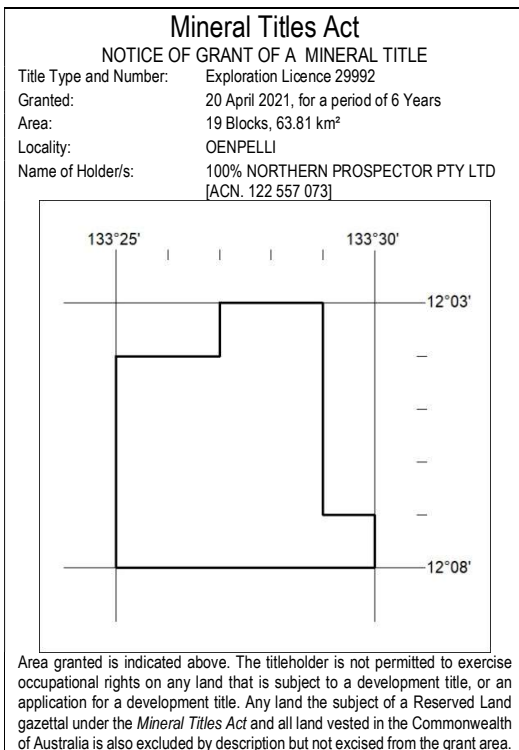
21 April 2021



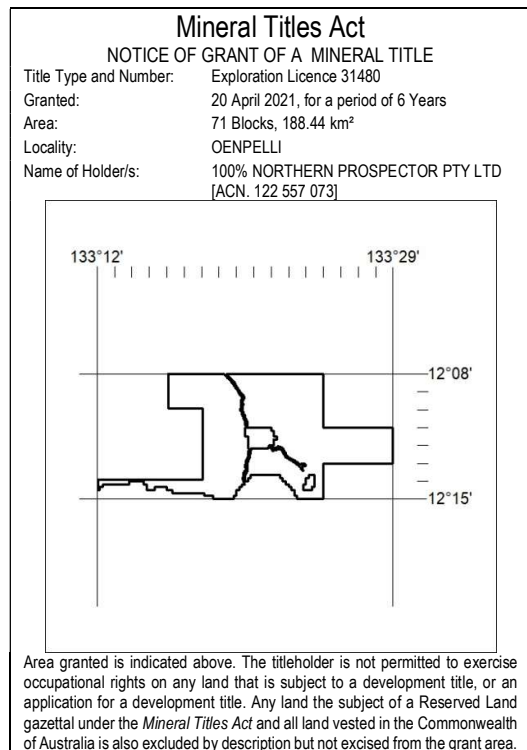
103/21



105/21



104/21



106/21

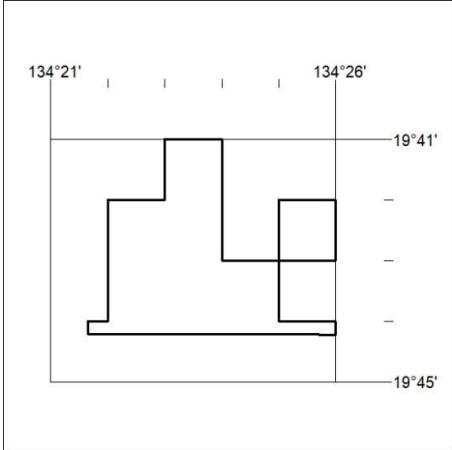
MN35/21

DARWIN

21 April 2021

Mineral Titles Act
NOTICE OF GRANT OF A MINERAL TITLE

Title Type and Number: Exploration Licence 32243
 Granted: 20 April 2021, for a period of 6 Years
 Area: 12 Blocks, 25.73 km²
 Locality: TENNANT CREEK
 Name of Holder/s: 100% TENNANT RESOURCES PTY LTD
 [ACN. 108 494 168]



Area granted is indicated above. The titleholder is not permitted to exercise occupational rights on any land that is subject to a development title, or an application for a development title. Any land the subject of a Reserved Land gazettal under the *Mineral Titles Act* and all land vested in the Commonwealth of Australia is also excluded by description but not excised from the grant area.

107/21