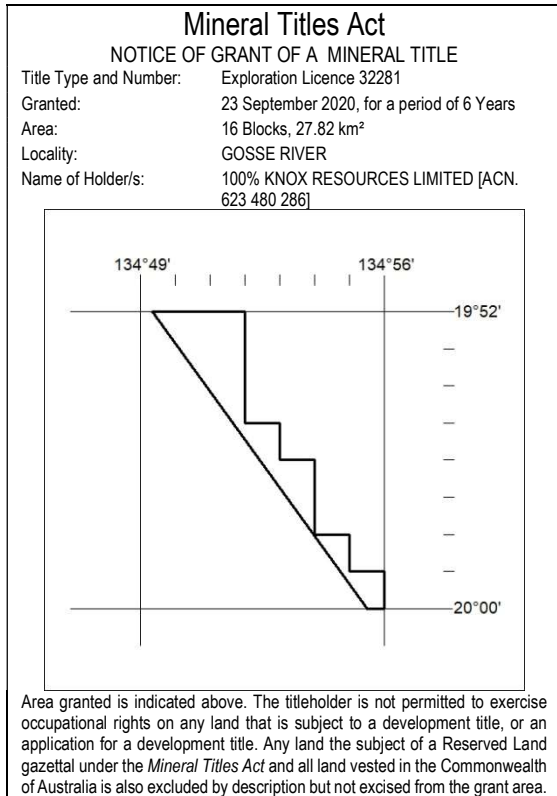


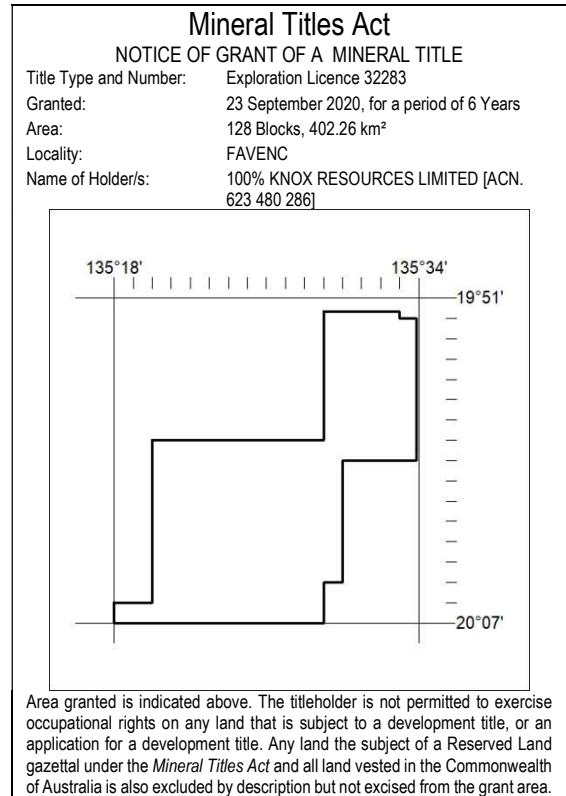
MN97/20

DARWIN

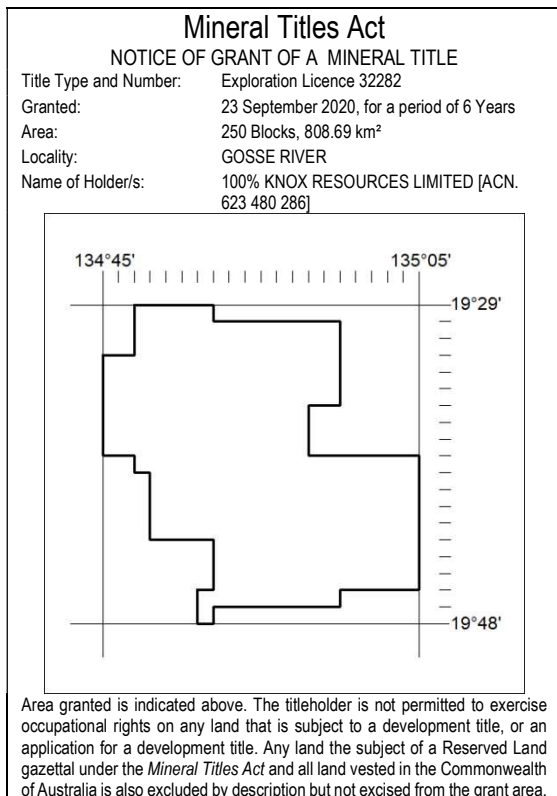
24 September 2020



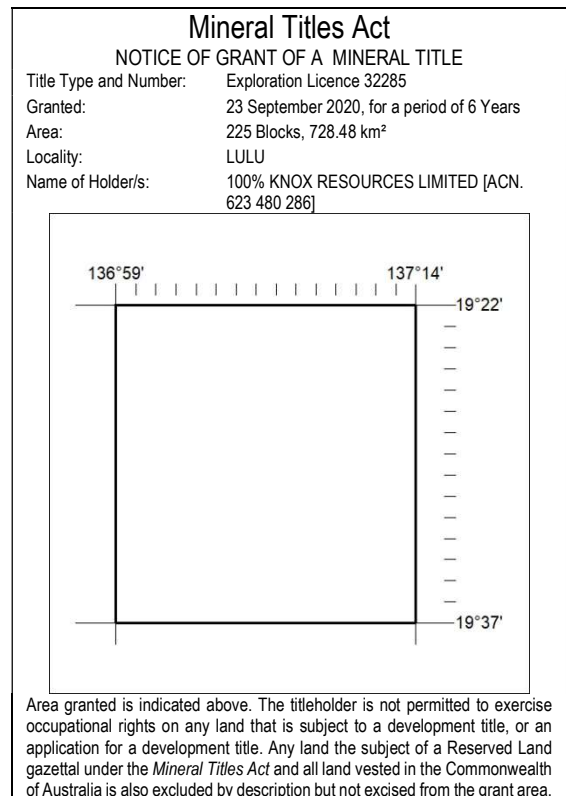
320/20



322/20



321/20



323/20

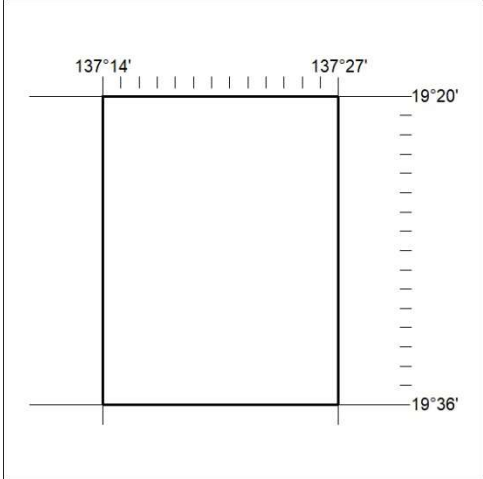
MN97/20

DARWIN

24 September 2020

Mineral Titles Act
NOTICE OF GRANT OF A MINERAL TITLE

Title Type and Number: Exploration Licence 32286
Granted: 23 September 2020, for a period of 6 Years
Area: 208 Blocks, 673.55 km²
Locality: LULU
Name of Holder/s: 100% KNOX RESOURCES LIMITED [ACN. 623 480 286]

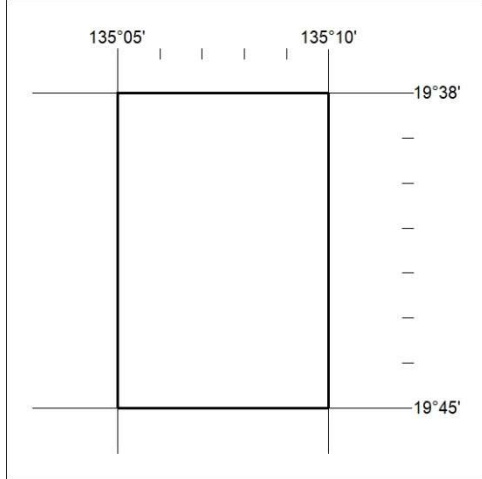


Area granted is indicated above. The titleholder is not permitted to exercise occupational rights on any land that is subject to a development title, or an application for a development title. Any land the subject of a Reserved Land gazettal under the *Mineral Titles Act* and all land vested in the Commonwealth of Australia is also excluded by description but not excised from the grant area.

324/20

Mineral Titles Act
NOTICE OF GRANT OF A MINERAL TITLE

Title Type and Number: Exploration Licence 32296
Granted: 23 September 2020, for a period of 6 Years
Area: 35 Blocks, 113.18 km²
Locality: FAVENC
Name of Holder/s: 100% KNOX RESOURCES LIMITED [ACN. 623 480 286]

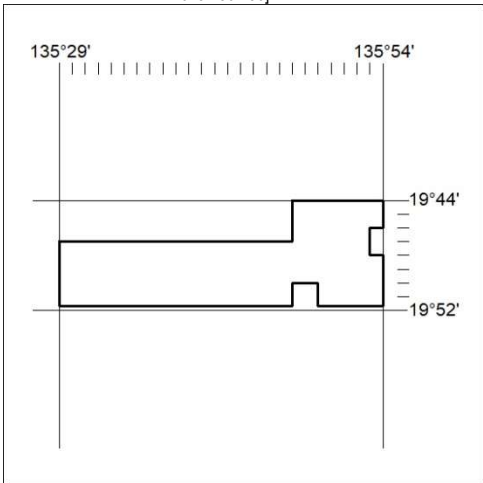


Area granted is indicated above. The titleholder is not permitted to exercise occupational rights on any land that is subject to a development title, or an application for a development title. Any land the subject of a Reserved Land gazettal under the *Mineral Titles Act* and all land vested in the Commonwealth of Australia is also excluded by description but not excised from the grant area.

326/20

Mineral Titles Act
NOTICE OF GRANT OF A MINERAL TITLE

Title Type and Number: Exploration Licence 32295
Granted: 23 September 2020, for a period of 6 Years
Area: 140 Blocks, 426.99 km²
Locality: DALMORE
Name of Holder/s: 100% KNOX RESOURCES LIMITED [ACN. 623 480 286]



Area granted is indicated above. The titleholder is not permitted to exercise occupational rights on any land that is subject to a development title, or an application for a development title. Any land the subject of a Reserved Land gazettal under the *Mineral Titles Act* and all land vested in the Commonwealth of Australia is also excluded by description but not excised from the grant area.

325/20