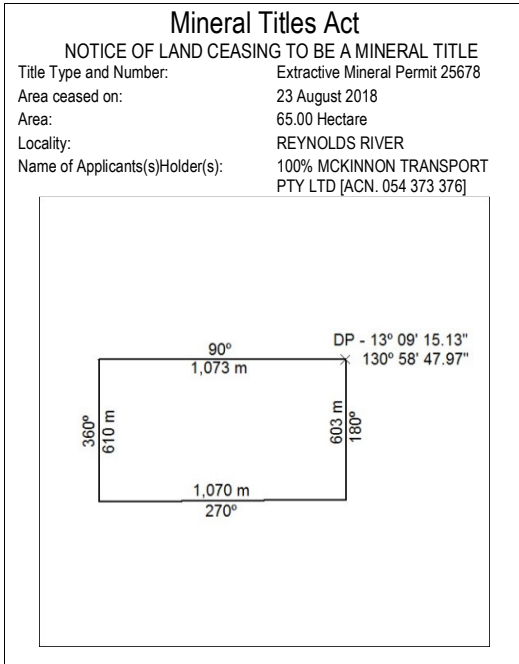


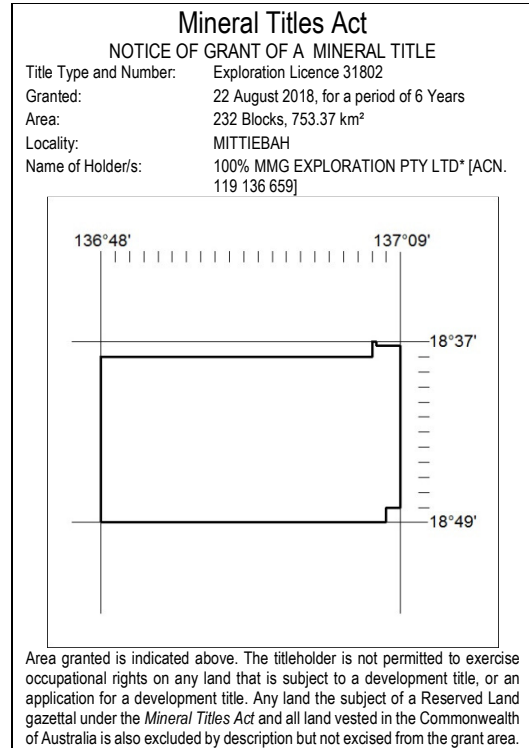
MN106/18

DARWIN

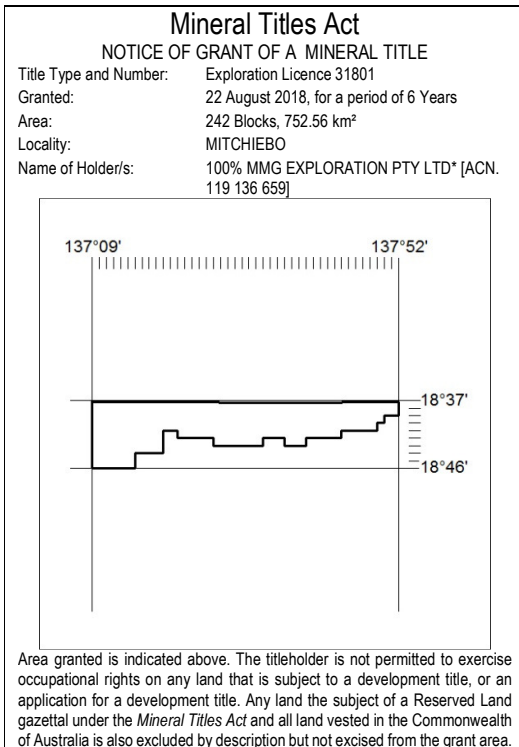
23 August 2018



355/18



357/18



356/18