

MN36/18

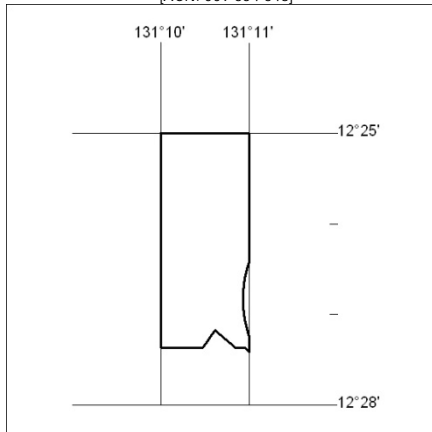
DARWIN

7 March 2018

Mineral Titles Act

NOTICE OF GRANT OF A MINERAL TITLE

Title Type and Number: Extractive Mineral Exploration Licence 31604
 Granted: 05 March 2018, for a period of 2 Years
 Area: 3 Blocks, 7.69 km²
 Locality: KOOLPINYAH
 Name of Holder/s: 100% SAGE CONSTRUCTIONS PTY. LTD.
 [ACN. 009 654 648]

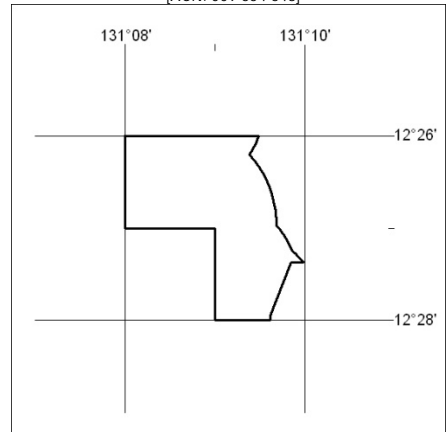


Area granted is indicated above. The titleholder is not permitted to exercise occupational rights on any land that is subject to a development title, or an application for a development title. Any land the subject of a Reserved Land gazettal under the *Mineral Titles Act* and all land vested in the Commonwealth of Australia is also excluded by description but not excised from the grant area.

Mineral Titles Act

NOTICE OF GRANT OF A MINERAL TITLE

Title Type and Number: Extractive Mineral Exploration Licence 31656
 Granted: 05 March 2018, for a period of 2 Years
 Area: 3 Blocks, 7.82 km²
 Locality: KOOLPINYAH
 Name of Holder/s: 100% SAGE CONSTRUCTIONS PTY. LTD.
 [ACN. 009 654 648]



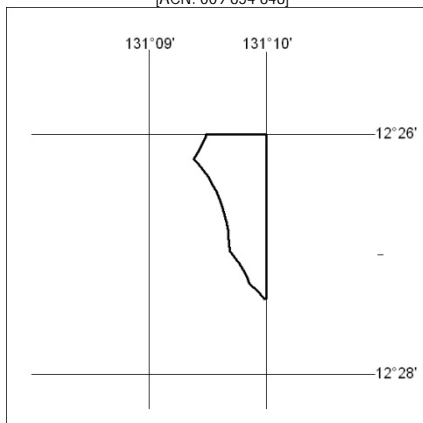
Area granted is indicated above. The titleholder is not permitted to exercise occupational rights on any land that is subject to a development title, or an application for a development title. Any land the subject of a Reserved Land gazettal under the *Mineral Titles Act* and all land vested in the Commonwealth of Australia is also excluded by description but not excised from the grant area.

100/18

Mineral Titles Act

NOTICE OF GRANT OF A MINERAL TITLE

Title Type and Number: Extractive Mineral Exploration Licence 31605
 Granted: 05 March 2018, for a period of 2 Years
 Area: 2 Blocks, 1.66 km²
 Locality: KOOLPINYAH
 Name of Holder/s: 100% SAGE CONSTRUCTIONS PTY. LTD.
 [ACN. 009 654 648]



Area granted is indicated above. The titleholder is not permitted to exercise occupational rights on any land that is subject to a development title, or an application for a development title. Any land the subject of a Reserved Land gazettal under the *Mineral Titles Act* and all land vested in the Commonwealth of Australia is also excluded by description but not excised from the grant area.

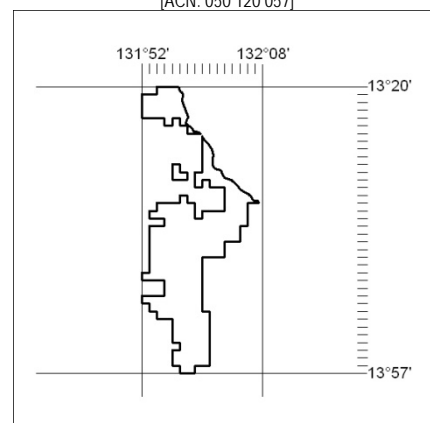
101/18

102/18

Mineral Titles Act

NOTICE OF GRANT OF A MINERAL TITLE

Title Type and Number: Exploration Licence 31591
 Granted: 07 March 2018, for a period of 6 Years
 Area: 221 Blocks, 692.44 km²
 Locality: PINE CREEK
 Name of Holder/s: 100% WOODLEIGH NOMINEES PTY LIMITED
 [ACN. 050 120 057]



Area granted is indicated above. The titleholder is not permitted to exercise occupational rights on any land that is subject to a development title, or an application for a development title. Any land the subject of a Reserved Land gazettal under the *Mineral Titles Act* and all land vested in the Commonwealth of Australia is also excluded by description but not excised from the grant area.

103/18

MN36/18

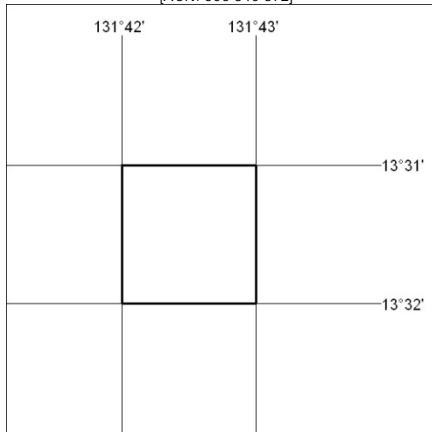
DARWIN

7 March 2018

Mineral Titles Act

NOTICE OF GRANT OF A MINERAL TITLE

Title Type and Number: Exploration Licence 31631
 Granted: 06 March 2018, for a period of 6 Years
 Area: 1 Block, 3.34 km²
 Locality: PINE CREEK
 Name of Holder/s: 100% BACCHUS RESOURCES PTY LTD
 [ACN. 606 340 872]



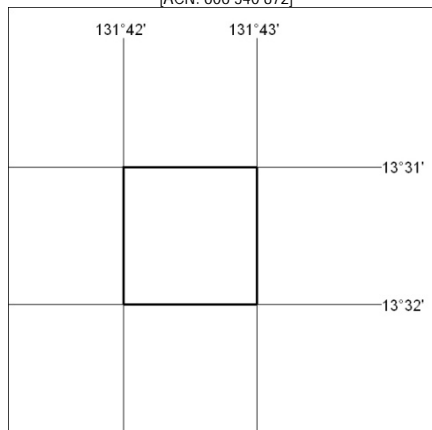
Area granted is indicated above. The titleholder is not permitted to exercise occupational rights on any land that is subject to a development title, or an application for a development title. Any land the subject of a Reserved Land gazettal under the *Mineral Titles Act* and all land vested in the Commonwealth of Australia is also excluded by description but not excised from the grant area.

104/18

Mineral Titles Act

NOTICE OF GRANT OF A MINERAL TITLE

Title Type and Number: Exploration Licence 31631
 Granted: 06 March 2018, for a period of 6 Years
 Area: 1 Block, 3.34 km²
 Locality: PINE CREEK
 Name of Holder/s: 100% BACCHUS RESOURCES PTY LTD
 [ACN. 606 340 872]



Area granted is indicated above. The titleholder is not permitted to exercise occupational rights on any land that is subject to a development title, or an application for a development title. Any land the subject of a Reserved Land gazettal under the *Mineral Titles Act* and all land vested in the Commonwealth of Australia is also excluded by description but not excised from the grant area.

105/18