

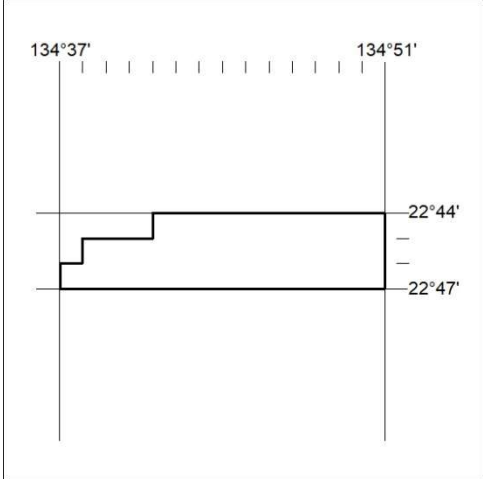
**MN22/22**

**DARWIN**

**14 March 2022**

**Mineral Titles Act**  
NOTICE OF GRANT OF A MINERAL TITLE

Title Type and Number: Exploration Licence 32762  
Granted: 11 March 2022, for a period of 6 Years  
Area: 37 Blocks, 117.15 km<sup>2</sup>  
Locality: DELNY  
Name of Holder/s: 100% IGO NEWSEARCH PTY LTD [ACN. 142 192 701]

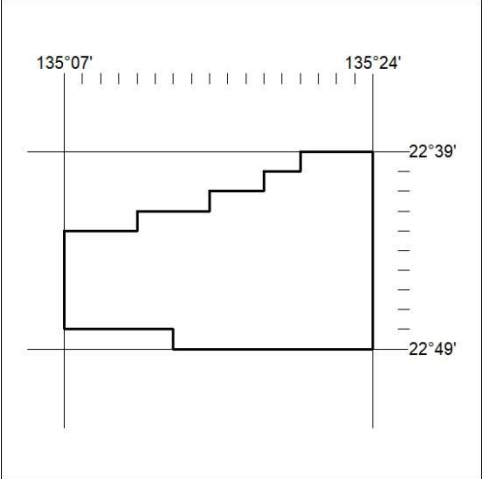


Area granted is indicated above. The titleholder is not permitted to exercise occupational rights on any land that is subject to a development title, or an application for a development title. Any land the subject of a Reserved Land gazettal under the *Mineral Titles Act* and all land vested in the Commonwealth of Australia is also excluded by description but not excised from the grant area.

**54/22**

**Mineral Titles Act**  
NOTICE OF GRANT OF A MINERAL TITLE

Title Type and Number: Exploration Licence 32764  
Granted: 11 March 2022, for a period of 6 Years  
Area: 128 Blocks, 405.47 km<sup>2</sup>  
Locality: DNEIPER  
Name of Holder/s: 100% IGO NEWSEARCH PTY LTD [ACN. 142 192 701]

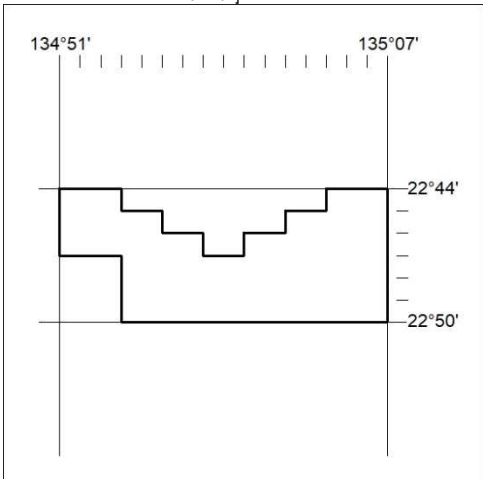


Area granted is indicated above. The titleholder is not permitted to exercise occupational rights on any land that is subject to a development title, or an application for a development title. Any land the subject of a Reserved Land gazettal under the *Mineral Titles Act* and all land vested in the Commonwealth of Australia is also excluded by description but not excised from the grant area.

**56/22**

**Mineral Titles Act**  
NOTICE OF GRANT OF A MINERAL TITLE

Title Type and Number: Exploration Licence 32763  
Granted: 11 March 2022, for a period of 6 Years  
Area: 69 Blocks, 218.54 km<sup>2</sup>  
Locality: DNEIPER  
Name of Holder/s: 100% IGO NEWSEARCH PTY LTD [ACN. 142 192 701]

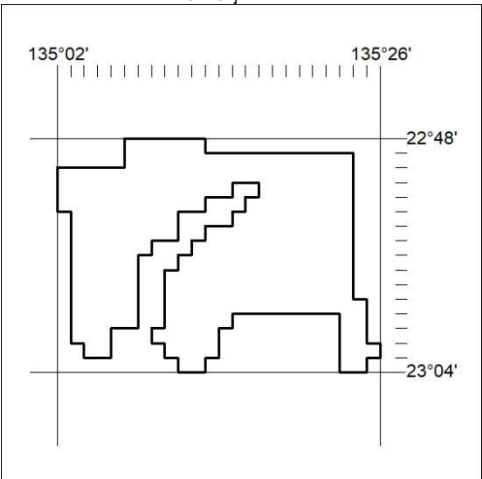


Area granted is indicated above. The titleholder is not permitted to exercise occupational rights on any land that is subject to a development title, or an application for a development title. Any land the subject of a Reserved Land gazettal under the *Mineral Titles Act* and all land vested in the Commonwealth of Australia is also excluded by description but not excised from the grant area.

**55/22**

**Mineral Titles Act**  
NOTICE OF GRANT OF A MINERAL TITLE

Title Type and Number: Exploration Licence 32765  
Granted: 11 March 2022, for a period of 6 Years  
Area: 249 Blocks, 787.63 km<sup>2</sup>  
Locality: DNEIPER  
Name of Holder/s: 100% IGO NEWSEARCH PTY LTD [ACN. 142 192 701]



Area granted is indicated above. The titleholder is not permitted to exercise occupational rights on any land that is subject to a development title, or an application for a development title. Any land the subject of a Reserved Land gazettal under the *Mineral Titles Act* and all land vested in the Commonwealth of Australia is also excluded by description but not excised from the grant area.

**57/22**

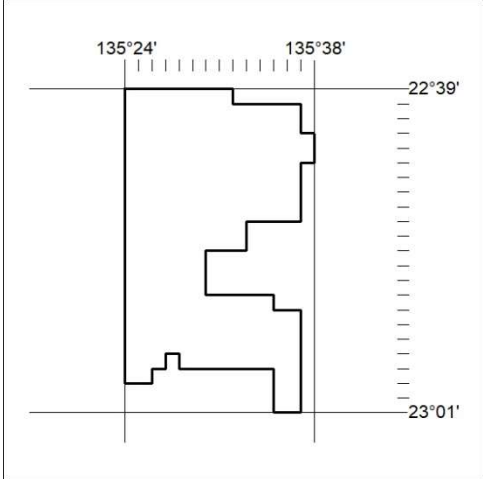
**MN22/22**

**DARWIN**

**14 March 2022**

**Mineral Titles Act**  
NOTICE OF GRANT OF A MINERAL TITLE

Title Type and Number: Exploration Licence 32766  
Granted: 11 March 2022, for a period of 6 Years  
Area: 220 Blocks, 696.49 km<sup>2</sup>  
Locality: DNEIPER  
Name of Holder/s: 100% IGO NEWSEARCH PTY LTD [ACN. 142 192 701]

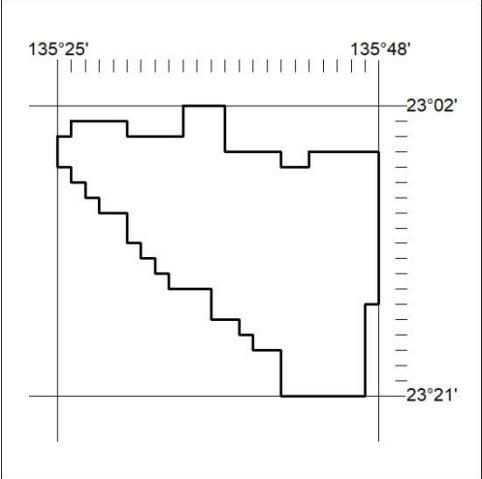


Area granted is indicated above. The titleholder is not permitted to exercise occupational rights on any land that is subject to a development title, or an application for a development title. Any land the subject of a Reserved Land gazettal under the *Mineral Titles Act* and all land vested in the Commonwealth of Australia is also excluded by description but not excised from the grant area.

**58/22**

**Mineral Titles Act**  
NOTICE OF GRANT OF A MINERAL TITLE

Title Type and Number: Exploration Licence 32771  
Granted: 11 March 2022, for a period of 6 Years  
Area: 248 Blocks, 783.03 km<sup>2</sup>  
Locality: BRAHMA  
Name of Holder/s: 100% IGO NEWSEARCH PTY LTD [ACN. 142 192 701]

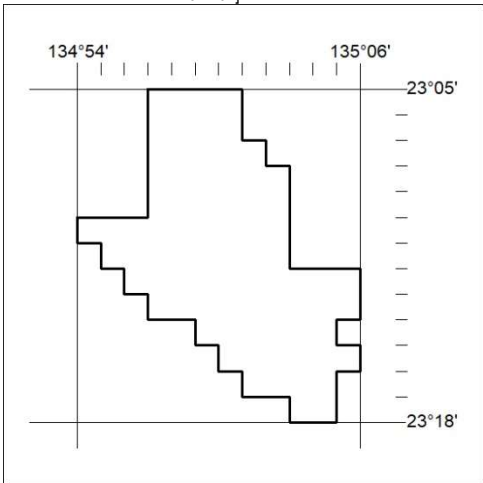


Area granted is indicated above. The titleholder is not permitted to exercise occupational rights on any land that is subject to a development title, or an application for a development title. Any land the subject of a Reserved Land gazettal under the *Mineral Titles Act* and all land vested in the Commonwealth of Australia is also excluded by description but not excised from the grant area.

**60/22**

**Mineral Titles Act**  
NOTICE OF GRANT OF A MINERAL TITLE

Title Type and Number: Exploration Licence 32767  
Granted: 11 March 2022, for a period of 6 Years  
Area: 79 Blocks, 249.40 km<sup>2</sup>  
Locality: QUARTZ  
Name of Holder/s: 100% IGO NEWSEARCH PTY LTD [ACN. 142 192 701]

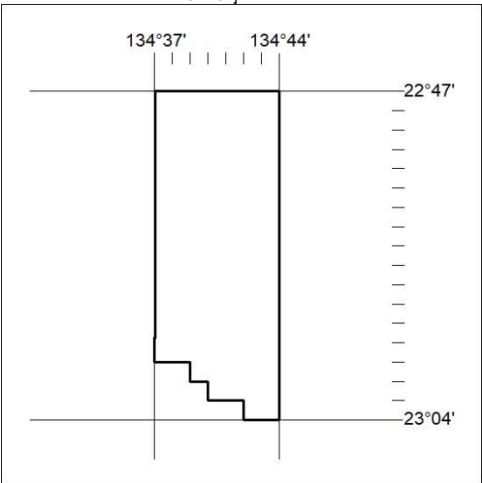


Area granted is indicated above. The titleholder is not permitted to exercise occupational rights on any land that is subject to a development title, or an application for a development title. Any land the subject of a Reserved Land gazettal under the *Mineral Titles Act* and all land vested in the Commonwealth of Australia is also excluded by description but not excised from the grant area.

**59/22**

**Mineral Titles Act**  
NOTICE OF GRANT OF A MINERAL TITLE

Title Type and Number: Exploration Licence 32775  
Granted: 11 March 2022, for a period of 6 Years  
Area: 109 Blocks, 343.86 km<sup>2</sup>  
Locality: DELNY  
Name of Holder/s: 100% IGO NEWSEARCH PTY LTD [ACN. 142 192 701]



Area granted is indicated above. The titleholder is not permitted to exercise occupational rights on any land that is subject to a development title, or an application for a development title. Any land the subject of a Reserved Land gazettal under the *Mineral Titles Act* and all land vested in the Commonwealth of Australia is also excluded by description but not excised from the grant area.

**61/22**

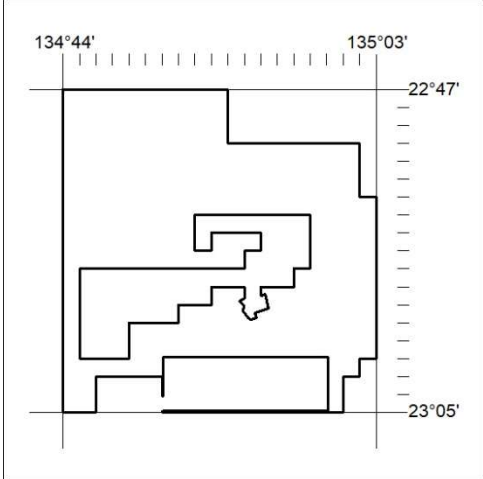
**MN22/22**

**DARWIN**

**14 March 2022**

**Mineral Titles Act**  
NOTICE OF GRANT OF A MINERAL TITLE

Title Type and Number: Exploration Licence 32777  
Granted: 11 March 2022, for a period of 6 Years  
Area: 232 Blocks, 695.76 km<sup>2</sup>  
Locality: DELNY  
Name of Holder/s: 100% IGO NEWSEARCH PTY LTD [ACN. 142 192 701]

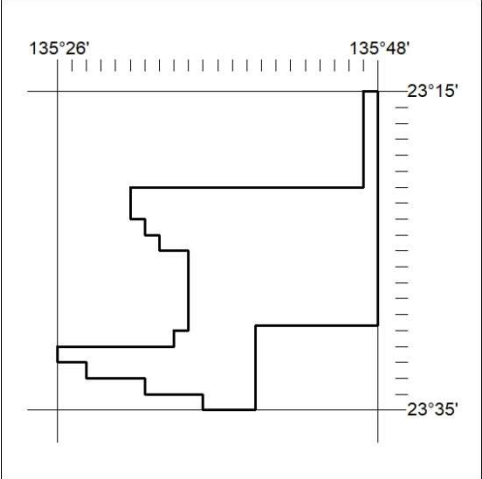


Area granted is indicated above. The titleholder is not permitted to exercise occupational rights on any land that is subject to a development title, or an application for a development title. Any land the subject of a Reserved Land gazettal under the *Mineral Titles Act* and all land vested in the Commonwealth of Australia is also excluded by description but not excised from the grant area.

**62/22**

**Mineral Titles Act**  
NOTICE OF GRANT OF A MINERAL TITLE

Title Type and Number: Exploration Licence 32779  
Granted: 11 March 2022, for a period of 6 Years  
Area: 180 Blocks, 552.37 km<sup>2</sup>  
Locality: BRAHMA  
Name of Holder/s: 100% IGO NEWSEARCH PTY LTD [ACN. 142 192 701]

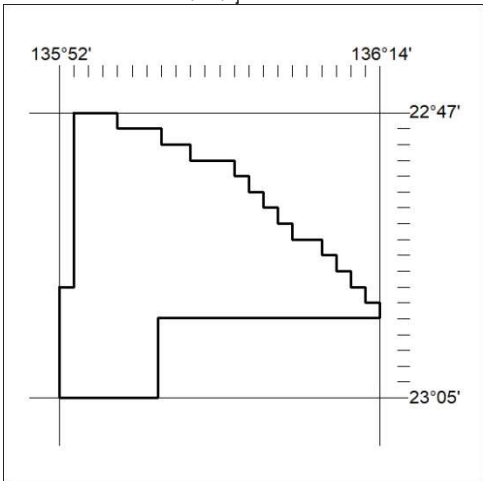


Area granted is indicated above. The titleholder is not permitted to exercise occupational rights on any land that is subject to a development title, or an application for a development title. Any land the subject of a Reserved Land gazettal under the *Mineral Titles Act* and all land vested in the Commonwealth of Australia is also excluded by description but not excised from the grant area.

**64/22**

**Mineral Titles Act**  
NOTICE OF GRANT OF A MINERAL TITLE

Title Type and Number: Exploration Licence 32778  
Granted: 11 March 2022, for a period of 6 Years  
Area: 214 Blocks, 672.17 km<sup>2</sup>  
Locality: JERVOIS RANGE  
Name of Holder/s: 100% IGO NEWSEARCH PTY LTD [ACN. 142 192 701]

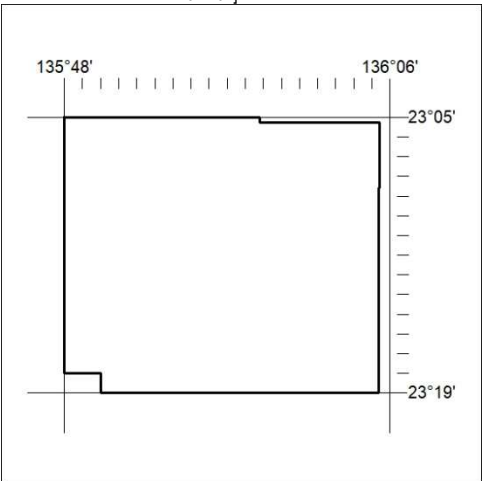


Area granted is indicated above. The titleholder is not permitted to exercise occupational rights on any land that is subject to a development title, or an application for a development title. Any land the subject of a Reserved Land gazettal under the *Mineral Titles Act* and all land vested in the Commonwealth of Australia is also excluded by description but not excised from the grant area.

**63/22**

**Mineral Titles Act**  
NOTICE OF GRANT OF A MINERAL TITLE

Title Type and Number: Exploration Licence 32780  
Granted: 11 March 2022, for a period of 6 Years  
Area: 250 Blocks, 756.46 km<sup>2</sup>  
Locality: BRAHMA  
Name of Holder/s: 100% IGO NEWSEARCH PTY LTD [ACN. 142 192 701]



Area granted is indicated above. The titleholder is not permitted to exercise occupational rights on any land that is subject to a development title, or an application for a development title. Any land the subject of a Reserved Land gazettal under the *Mineral Titles Act* and all land vested in the Commonwealth of Australia is also excluded by description but not excised from the grant area.

**65/22**

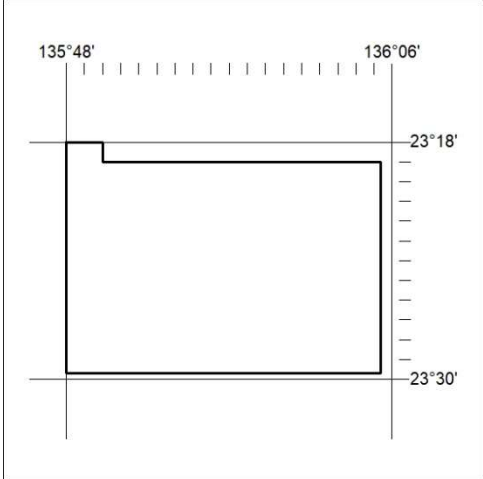
**MN22/22**

**DARWIN**

**14 March 2022**

**Mineral Titles Act**  
NOTICE OF GRANT OF A MINERAL TITLE

Title Type and Number: Exploration Licence 32781  
Granted: 11 March 2022, for a period of 6 Years  
Area: 200 Blocks, 591.87 km<sup>2</sup>  
Locality: BRAHMA  
Name of Holder/s: 100% IGO NEWSEARCH PTY LTD [ACN. 142 192 701]

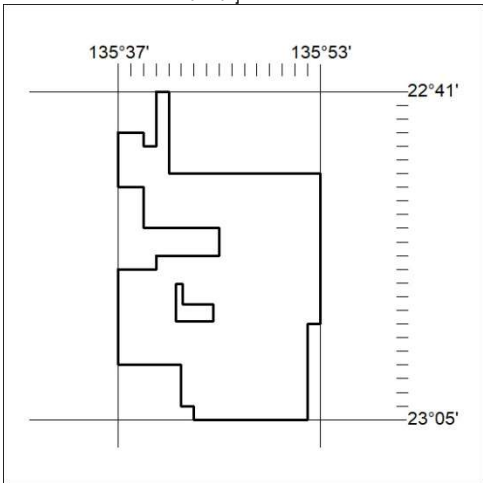


Area granted is indicated above. The titleholder is not permitted to exercise occupational rights on any land that is subject to a development title, or an application for a development title. Any land the subject of a Reserved Land gazettal under the *Mineral Titles Act* and all land vested in the Commonwealth of Australia is also excluded by description but not excised from the grant area.

66/22

**Mineral Titles Act**  
NOTICE OF GRANT OF A MINERAL TITLE

Title Type and Number: Exploration Licence 32783  
Granted: 11 March 2022, for a period of 6 Years  
Area: 249 Blocks, 773.11 km<sup>2</sup>  
Locality: JINKA  
Name of Holder/s: 100% IGO NEWSEARCH PTY LTD [ACN. 142 192 701]



Area granted is indicated above. The titleholder is not permitted to exercise occupational rights on any land that is subject to a development title, or an application for a development title. Any land the subject of a Reserved Land gazettal under the *Mineral Titles Act* and all land vested in the Commonwealth of Australia is also excluded by description but not excised from the grant area.

67/22