

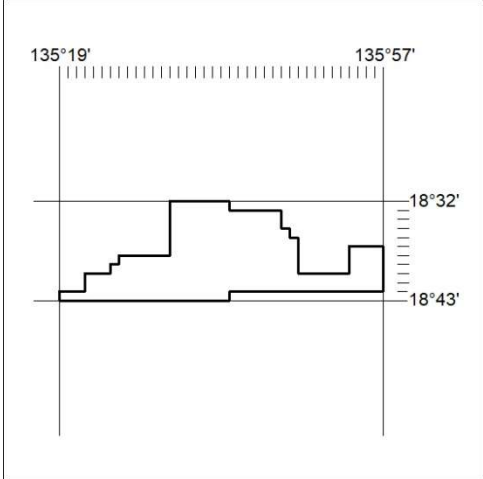
**MN108/21**

**DARWIN**

**29 October 2021**

**Mineral Titles Act**  
NOTICE OF GRANT OF A MINERAL TITLE

Title Type and Number: Exploration Licence 32708  
Granted: 27 October 2021, for a period of 6 Years  
Area: 222 Blocks, 722.65 km<sup>2</sup>  
Locality: BRUNETTE  
Name of Holder/s: 100% RED METAL LIMITED [ACN. 103 367 684]

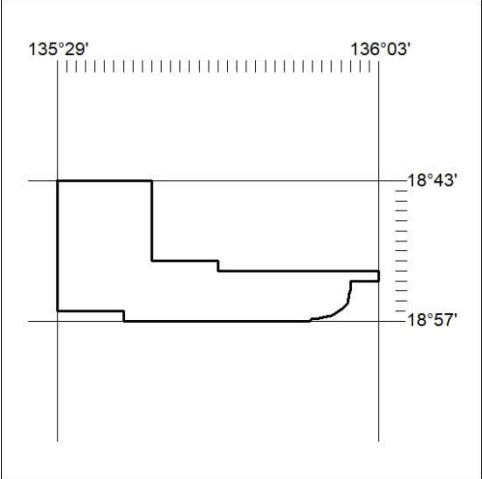


Area granted is indicated above. The titleholder is not permitted to exercise occupational rights on any land that is subject to a development title, or an application for a development title. Any land the subject of a Reserved Land gazettal under the *Mineral Titles Act* and all land vested in the Commonwealth of Australia is also excluded by description but not excised from the grant area.

**408/21**

**Mineral Titles Act**  
NOTICE OF GRANT OF A MINERAL TITLE

Title Type and Number: Exploration Licence 32710  
Granted: 27 October 2021, for a period of 6 Years  
Area: 247 Blocks, 795.55 km<sup>2</sup>  
Locality: BRUNETTE  
Name of Holder/s: 100% RED METAL LIMITED [ACN. 103 367 684]

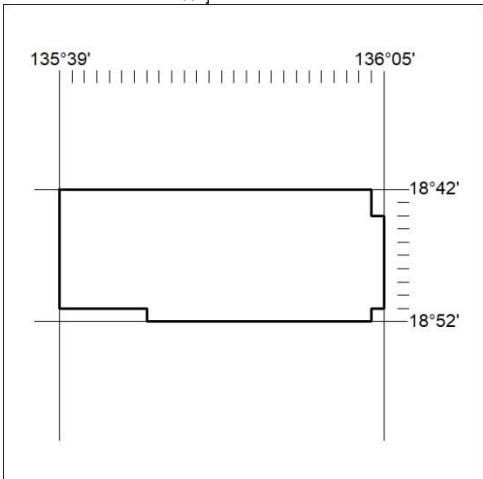


Area granted is indicated above. The titleholder is not permitted to exercise occupational rights on any land that is subject to a development title, or an application for a development title. Any land the subject of a Reserved Land gazettal under the *Mineral Titles Act* and all land vested in the Commonwealth of Australia is also excluded by description but not excised from the grant area.

**410/21**

**Mineral Titles Act**  
NOTICE OF GRANT OF A MINERAL TITLE

Title Type and Number: Exploration Licence 32709  
Granted: 27 October 2021, for a period of 6 Years  
Area: 250 Blocks, 812.69 km<sup>2</sup>  
Locality: BRUNETTE  
Name of Holder/s: 100% RED METAL LIMITED [ACN. 103 367 684]

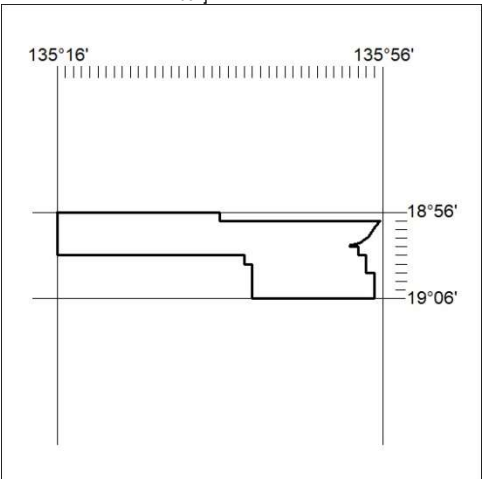


Area granted is indicated above. The titleholder is not permitted to exercise occupational rights on any land that is subject to a development title, or an application for a development title. Any land the subject of a Reserved Land gazettal under the *Mineral Titles Act* and all land vested in the Commonwealth of Australia is also excluded by description but not excised from the grant area.

**409/21**

**Mineral Titles Act**  
NOTICE OF GRANT OF A MINERAL TITLE

Title Type and Number: Exploration Licence 32711  
Granted: 27 October 2021, for a period of 6 Years  
Area: 249 Blocks, 798.35 km<sup>2</sup>  
Locality: PLAYFORD  
Name of Holder/s: 100% RED METAL LIMITED [ACN. 103 367 684]



Area granted is indicated above. The titleholder is not permitted to exercise occupational rights on any land that is subject to a development title, or an application for a development title. Any land the subject of a Reserved Land gazettal under the *Mineral Titles Act* and all land vested in the Commonwealth of Australia is also excluded by description but not excised from the grant area.

**411/21**

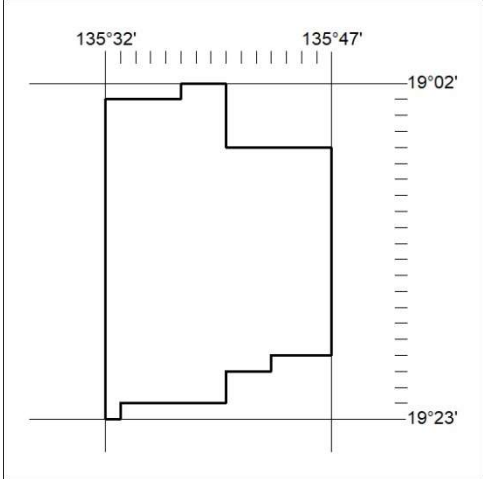
**MN108/21**

**DARWIN**

**29 October 2021**

**Mineral Titles Act**  
NOTICE OF GRANT OF A MINERAL TITLE

Title Type and Number: Exploration Licence 32712  
Granted: 27 October 2021, for a period of 6 Years  
Area: 250 Blocks, 810.83 km<sup>2</sup>  
Locality: PLAYFORD  
Name of Holder/s: 100% RED METAL LIMITED [ACN. 103 367 684]

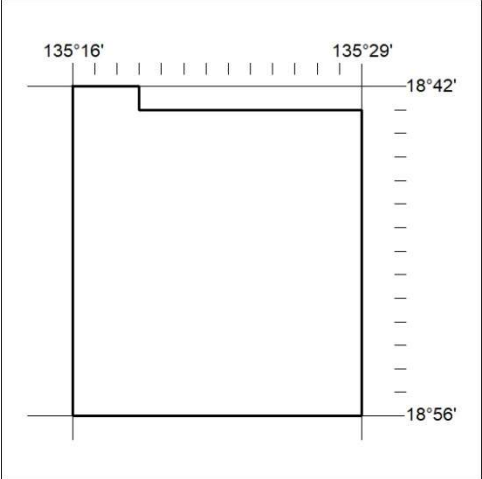


Area granted is indicated above. The titleholder is not permitted to exercise occupational rights on any land that is subject to a development title, or an application for a development title. Any land the subject of a Reserved Land gazettal under the *Mineral Titles Act* and all land vested in the Commonwealth of Australia is also excluded by description but not excised from the grant area.

**412/21**

**Mineral Titles Act**  
NOTICE OF GRANT OF A MINERAL TITLE

Title Type and Number: Exploration Licence 32714  
Granted: 27 October 2021, for a period of 6 Years  
Area: 172 Blocks, 559.13 km<sup>2</sup>  
Locality: ROCKHAMPTON DOWNS  
Name of Holder/s: 100% RED METAL LIMITED [ACN. 103 367 684]

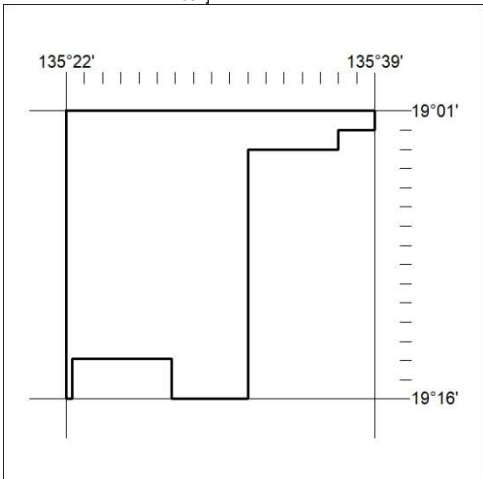


Area granted is indicated above. The titleholder is not permitted to exercise occupational rights on any land that is subject to a development title, or an application for a development title. Any land the subject of a Reserved Land gazettal under the *Mineral Titles Act* and all land vested in the Commonwealth of Australia is also excluded by description but not excised from the grant area.

**414/21**

**Mineral Titles Act**  
NOTICE OF GRANT OF A MINERAL TITLE

Title Type and Number: Exploration Licence 32713  
Granted: 27 October 2021, for a period of 6 Years  
Area: 154 Blocks, 488.34 km<sup>2</sup>  
Locality: FREWENA  
Name of Holder/s: 100% RED METAL LIMITED [ACN. 103 367 684]

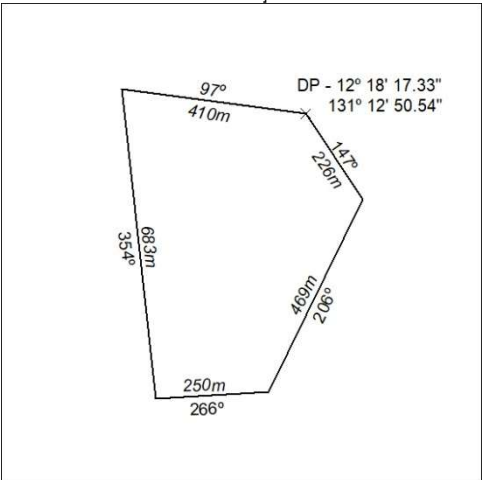


Area granted is indicated above. The titleholder is not permitted to exercise occupational rights on any land that is subject to a development title, or an application for a development title. Any land the subject of a Reserved Land gazettal under the *Mineral Titles Act* and all land vested in the Commonwealth of Australia is also excluded by description but not excised from the grant area.

**413/21**

**Mineral Titles Act**  
NOTICE OF GRANT OF A MINERAL TITLE

Title Type and Number: Extractive Mineral Permit 32169  
Granted: 27 October 2021, for a period of 5 Years  
Area: 25.79 Hectares  
Locality: KOOLPINYAH  
Name of Holder/s: 100% MOUSELLIS & SONS PTY. LTD. [ACN. 009 654 791]



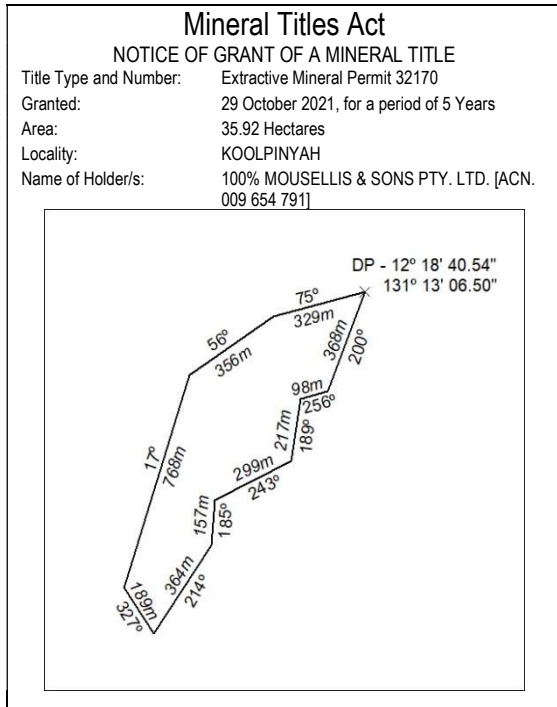
Area granted is indicated above. The titleholder is not permitted to exercise occupational rights on any land that is subject to a development title, or an application for a development title. Any land the subject of a Reserved Land gazettal under the *Mineral Titles Act* and all land vested in the Commonwealth of Australia is also excluded by description but not excised from the grant area.

**415/21**

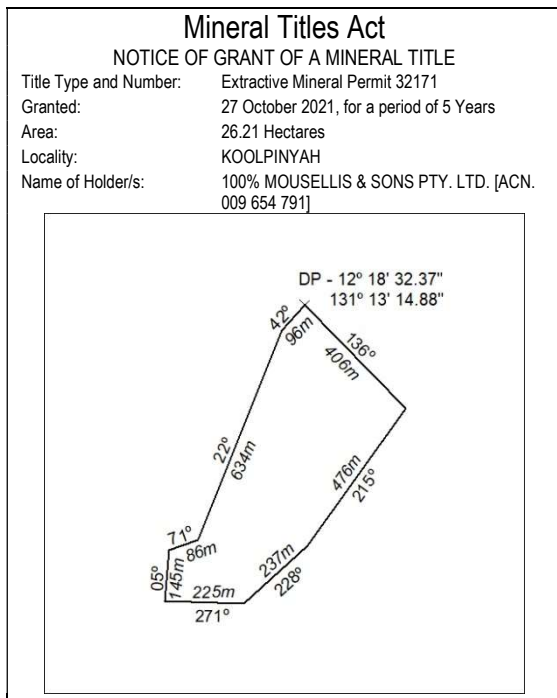
**MN108/21**

**DARWIN**

**29 October 2021**



**416/21**



**417/21**