

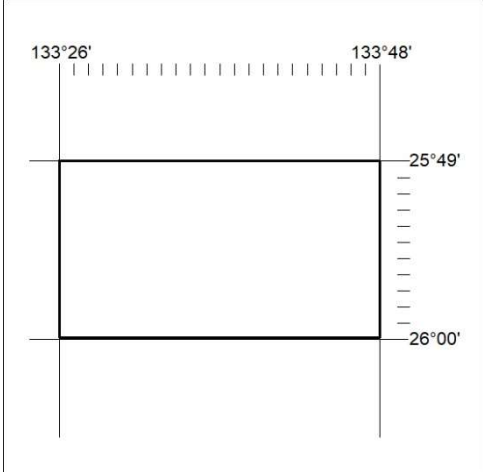
MN111/21

DARWIN

12 November 2021

Mineral Titles Act
NOTICE OF GRANT OF A MINERAL TITLE

Title Type and Number: Exploration Licence 32716
Granted: 11 November 2021, for a period of 6 Years
Area: 242 Blocks, 741.97 km²
Locality: UMBEARA
Name of Holder/s: 100% TRI-STAR ENERGY COMPANY [ACN. 089 539 695]

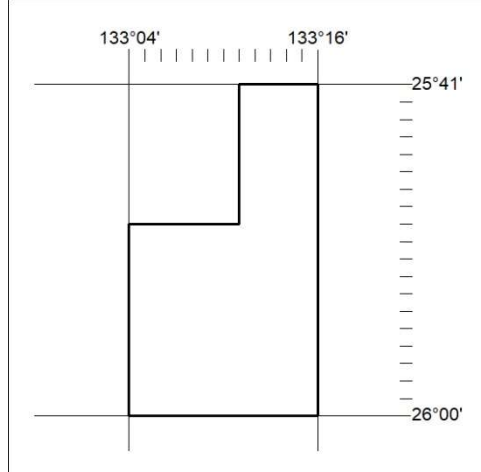


Area granted is indicated above. The titleholder is not permitted to exercise occupational rights on any land that is subject to a development title, or an application for a development title. Any land the subject of a Reserved Land gazettal under the *Mineral Titles Act* and all land vested in the Commonwealth of Australia is also excluded by description but not excised from the grant area.

421/21

Mineral Titles Act
NOTICE OF GRANT OF A MINERAL TITLE

Title Type and Number: Exploration Licence 32718
Granted: 11 November 2021, for a period of 6 Years
Area: 172 Blocks, 531.51 km²
Locality: KULGERA
Name of Holder/s: 100% TRI-STAR ENERGY COMPANY [ACN. 089 539 695]

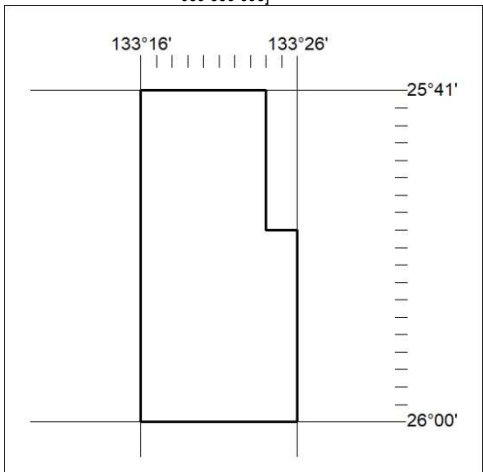


Area granted is indicated above. The titleholder is not permitted to exercise occupational rights on any land that is subject to a development title, or an application for a development title. Any land the subject of a Reserved Land gazettal under the *Mineral Titles Act* and all land vested in the Commonwealth of Australia is also excluded by description but not excised from the grant area.

423/21

Mineral Titles Act
NOTICE OF GRANT OF A MINERAL TITLE

Title Type and Number: Exploration Licence 32717
Granted: 11 November 2021, for a period of 6 Years
Area: 174 Blocks, 537.82 km²
Locality: KULGERA
Name of Holder/s: 100% TRI-STAR ENERGY COMPANY [ACN. 089 539 695]

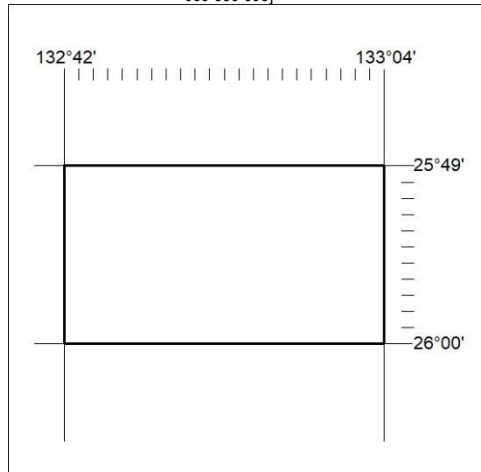


Area granted is indicated above. The titleholder is not permitted to exercise occupational rights on any land that is subject to a development title, or an application for a development title. Any land the subject of a Reserved Land gazettal under the *Mineral Titles Act* and all land vested in the Commonwealth of Australia is also excluded by description but not excised from the grant area.

422/21

Mineral Titles Act
NOTICE OF GRANT OF A MINERAL TITLE

Title Type and Number: Exploration Licence 32719
Granted: 11 November 2021, for a period of 6 Years
Area: 242 Blocks, 747.62 km²
Locality: VICTORY
Name of Holder/s: 100% TRI-STAR ENERGY COMPANY [ACN. 089 539 695]



Area granted is indicated above. The titleholder is not permitted to exercise occupational rights on any land that is subject to a development title, or an application for a development title. Any land the subject of a Reserved Land gazettal under the *Mineral Titles Act* and all land vested in the Commonwealth of Australia is also excluded by description but not excised from the grant area.

424/21