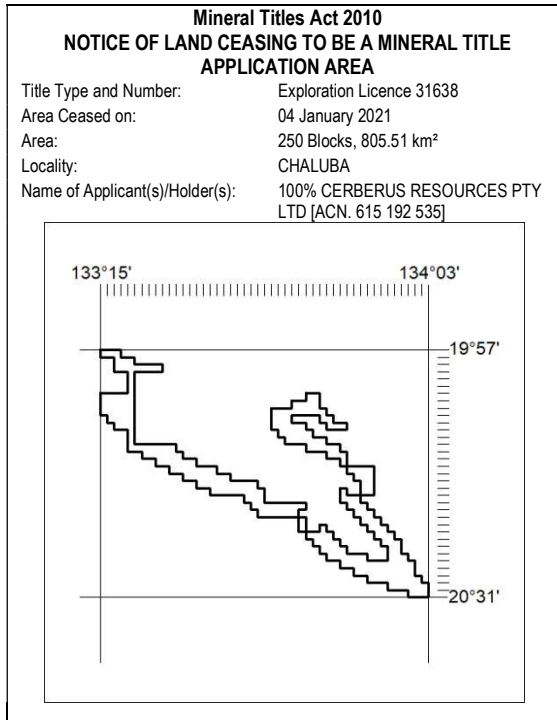


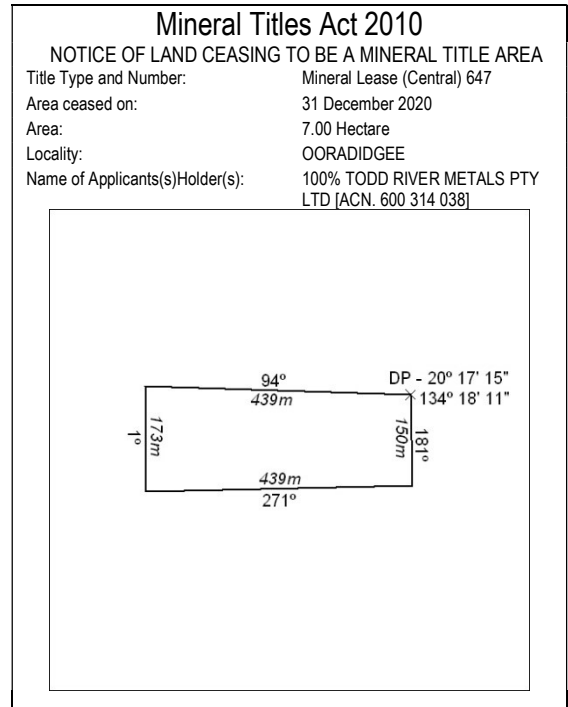
MN01/21

DARWIN

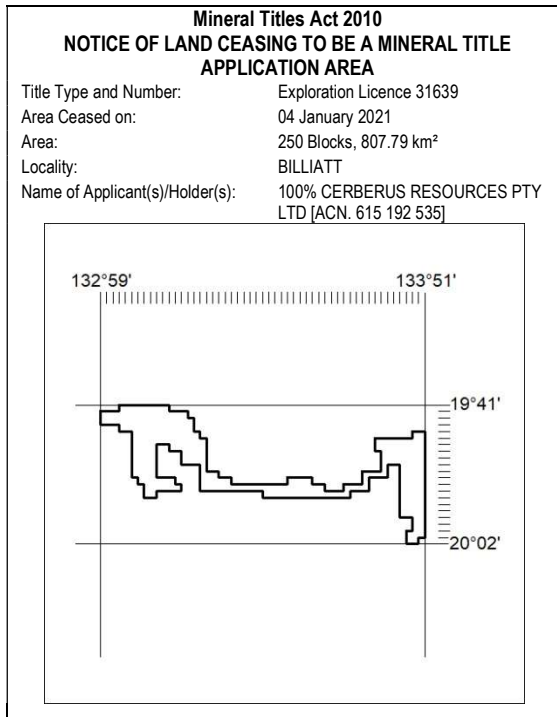
4 January 2021



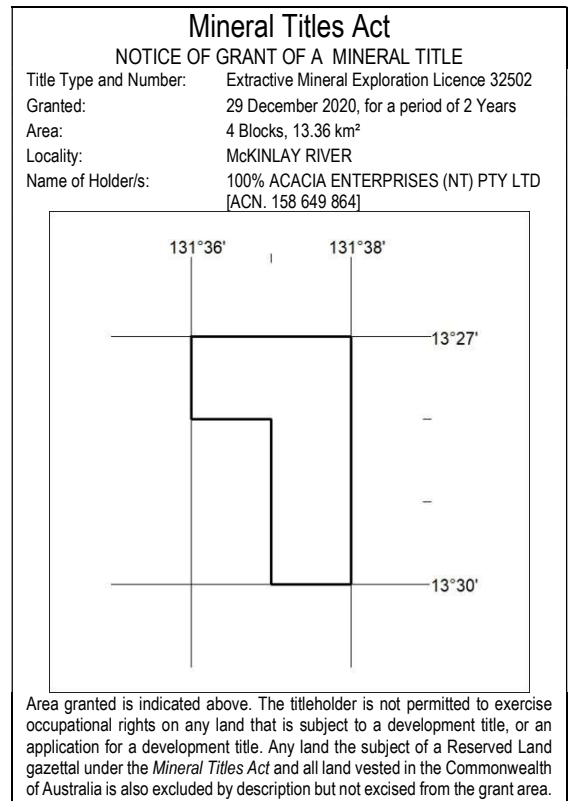
01/21



03/21



02/21



04/21

MN01/21

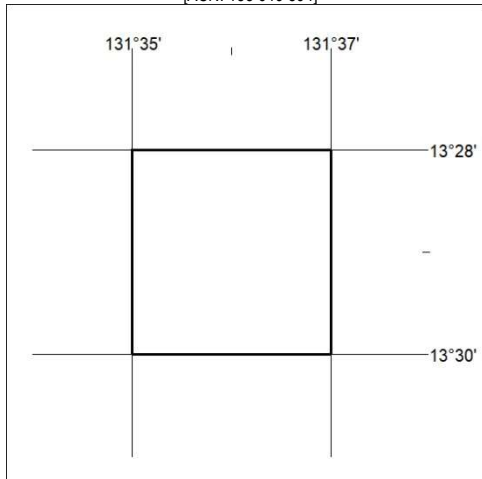
DARWIN

4 January 2021

Mineral Titles Act

NOTICE OF GRANT OF A MINERAL TITLE

Title Type and Number: Extractive Mineral Exploration Licence 32503
Granted: 29 December 2020, for a period of 2 Years
Area: 4 Blocks, 13.36 km²
Locality: MCKINLAY RIVER
Name of Holder/s: 100% ACACIA ENTERPRISES (NT) PTY LTD
[ACN. 158 649 864]



Area granted is indicated above. The titleholder is not permitted to exercise occupational rights on any land that is subject to a development title, or an application for a development title. Any land the subject of a Reserved Land gazettal under the *Mineral Titles Act* and all land vested in the Commonwealth of Australia is also excluded by description but not excised from the grant area.

05/21