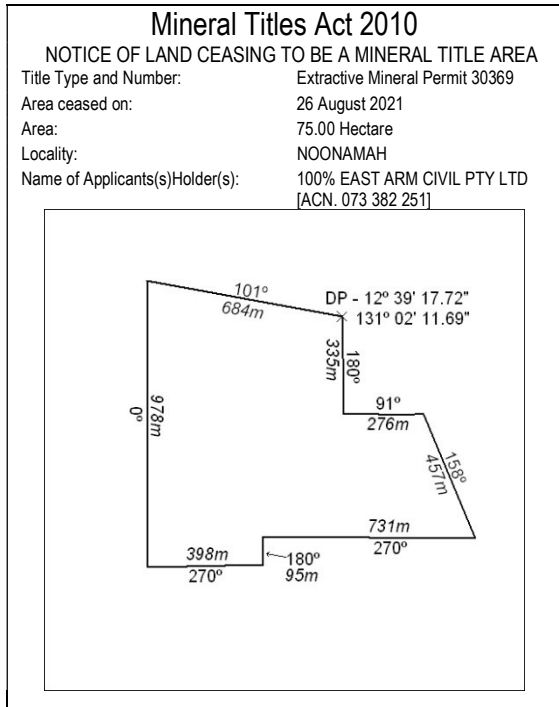


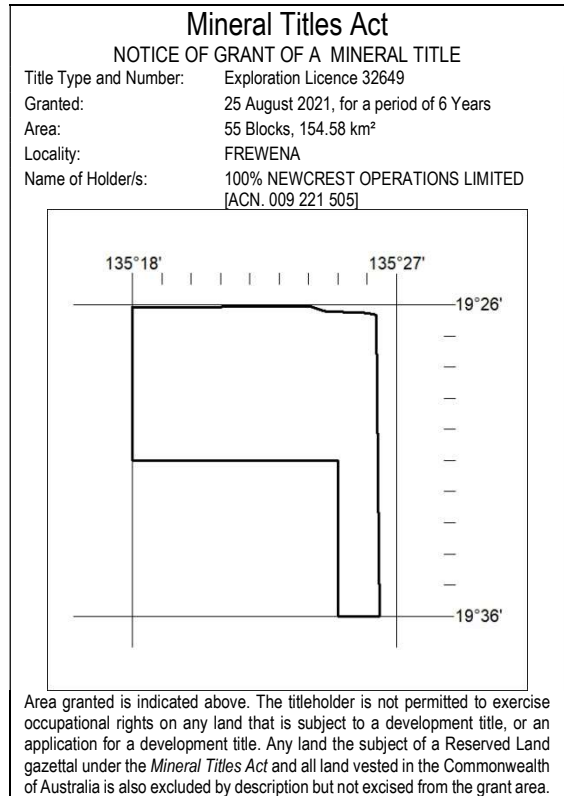
MN79/21

DARWIN

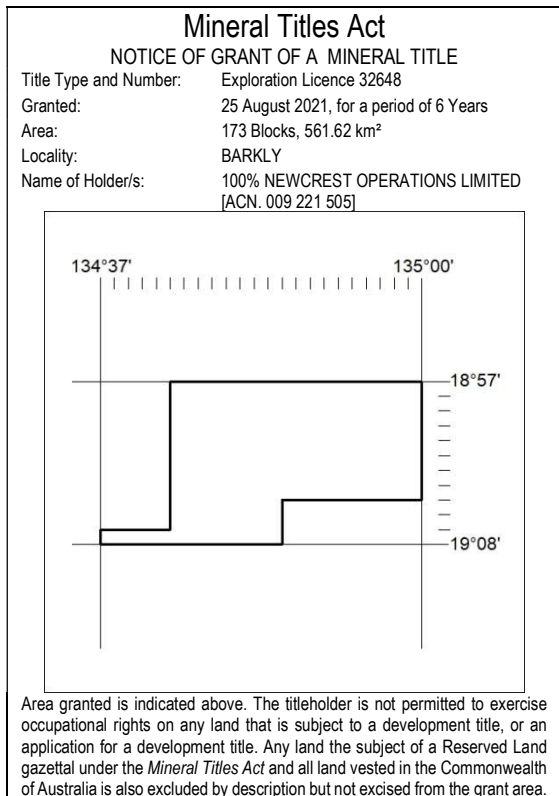
26 August 2021



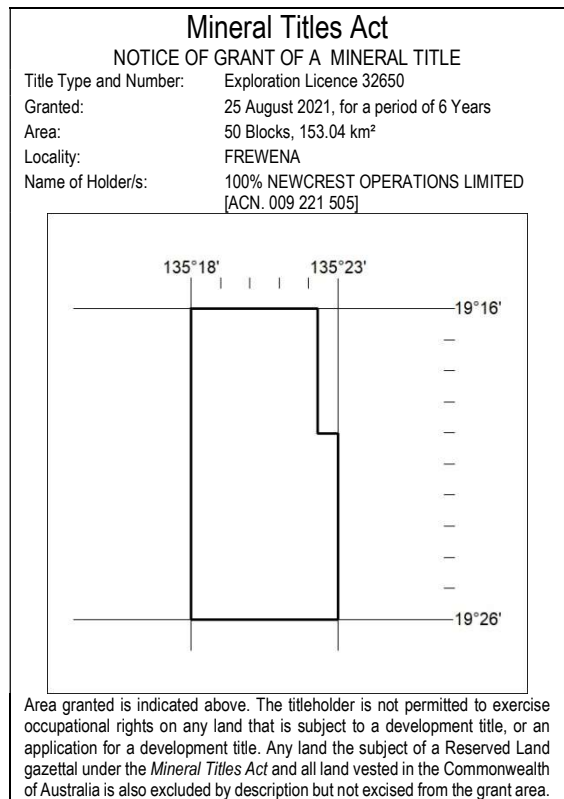
328/21



330/21



329/21



331/21

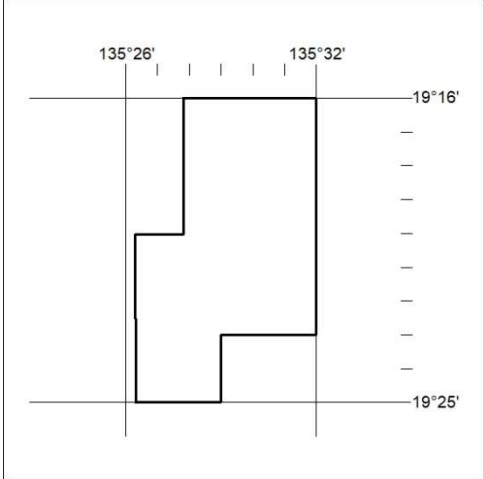
MN79/21

DARWIN

26 August 2021

Mineral Titles Act
NOTICE OF GRANT OF A MINERAL TITLE

Title Type and Number: Exploration Licence 32651
Granted: 25 August 2021, for a period of 6 Years
Area: 44 Blocks, 126.75 km²
Locality: FREWENA
Name of Holder/s: 100% NEWCREST OPERATIONS LIMITED
[ACN. 009 221 505]

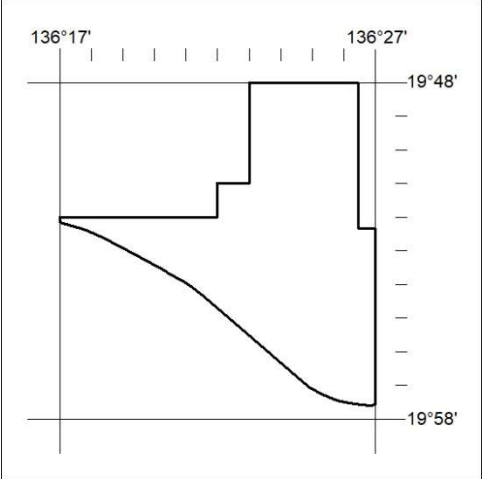


Area granted is indicated above. The titleholder is not permitted to exercise occupational rights on any land that is subject to a development title, or an application for a development title. Any land the subject of a Reserved Land gazettal under the *Mineral Titles Act* and all land vested in the Commonwealth of Australia is also excluded by description but not excised from the grant area.

332/21

Mineral Titles Act
NOTICE OF GRANT OF A MINERAL TITLE

Title Type and Number: Exploration Licence 32653
Granted: 25 August 2021, for a period of 6 Years
Area: 53 Blocks, 140.26 km²
Locality: WONARAH
Name of Holder/s: 100% NEWCREST OPERATIONS LIMITED
[ACN. 009 221 505]

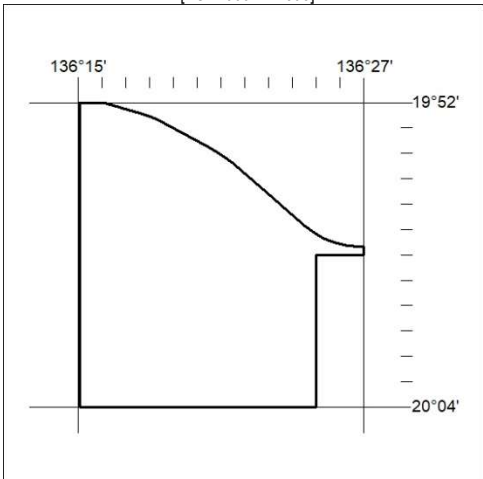


Area granted is indicated above. The titleholder is not permitted to exercise occupational rights on any land that is subject to a development title, or an application for a development title. Any land the subject of a Reserved Land gazettal under the *Mineral Titles Act* and all land vested in the Commonwealth of Australia is also excluded by description but not excised from the grant area.

334/21

Mineral Titles Act
NOTICE OF GRANT OF A MINERAL TITLE

Title Type and Number: Exploration Licence 32652
Granted: 25 August 2021, for a period of 6 Years
Area: 109 Blocks, 327.13 km²
Locality: WONARAH
Name of Holder/s: 100% NEWCREST OPERATIONS LIMITED
[ACN. 009 221 505]

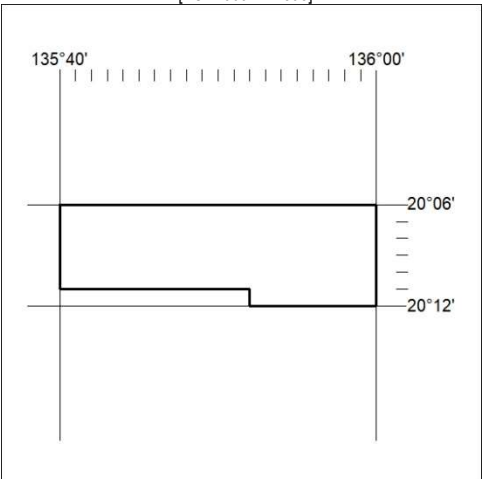


Area granted is indicated above. The titleholder is not permitted to exercise occupational rights on any land that is subject to a development title, or an application for a development title. Any land the subject of a Reserved Land gazettal under the *Mineral Titles Act* and all land vested in the Commonwealth of Australia is also excluded by description but not excised from the grant area.

333/21

Mineral Titles Act
NOTICE OF GRANT OF A MINERAL TITLE

Title Type and Number: Exploration Licence 32654
Granted: 25 August 2021, for a period of 6 Years
Area: 108 Blocks, 348.09 km²
Locality: COOLIBAH
Name of Holder/s: 100% NEWCREST OPERATIONS LIMITED
[ACN. 009 221 505]



Area granted is indicated above. The titleholder is not permitted to exercise occupational rights on any land that is subject to a development title, or an application for a development title. Any land the subject of a Reserved Land gazettal under the *Mineral Titles Act* and all land vested in the Commonwealth of Australia is also excluded by description but not excised from the grant area.

335/21